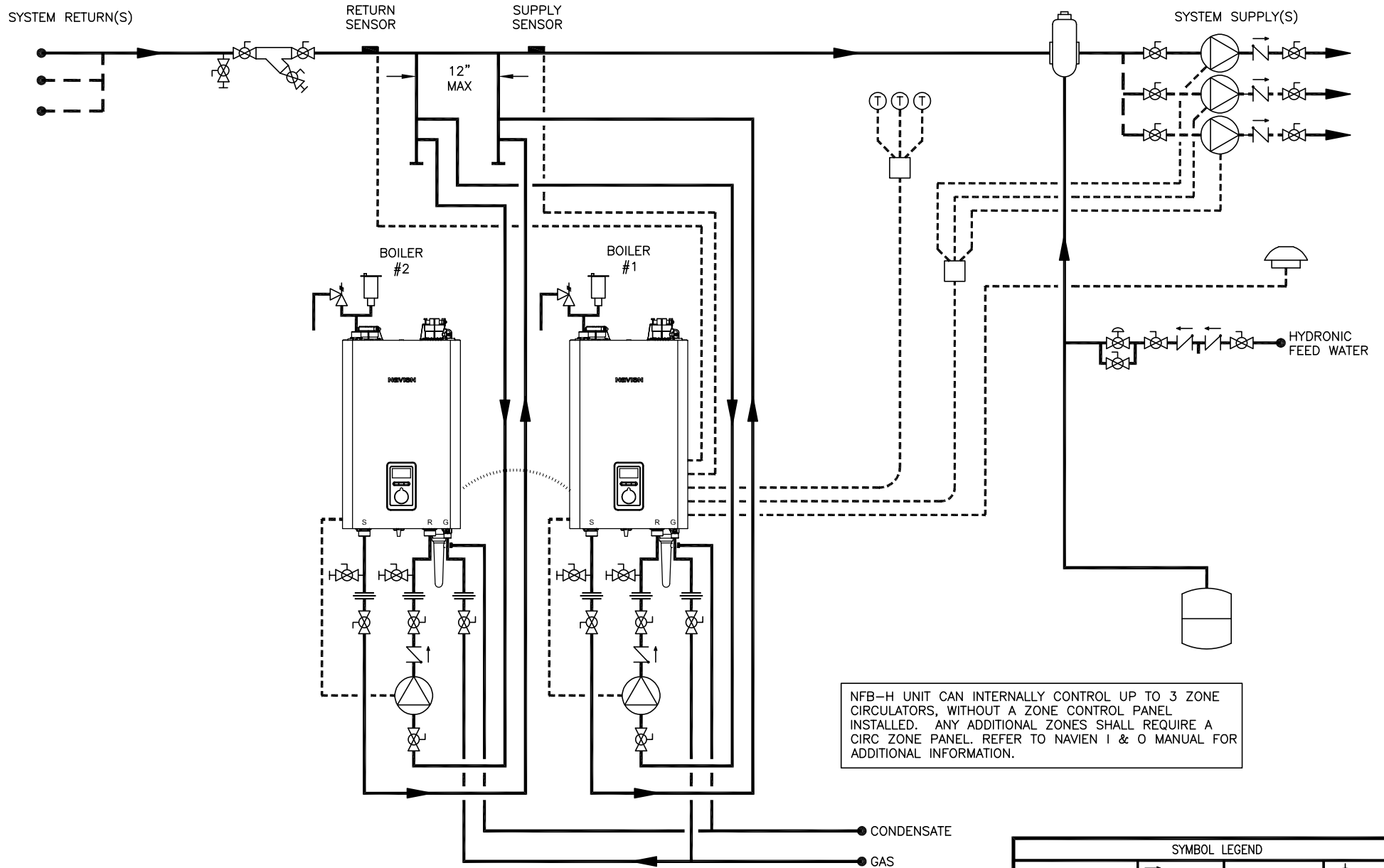


THIS DRAWING IS INTENDED ONLY AS A GUIDE AND NOT AS A REPLACEMENT FOR PROFESSIONALLY ENGINEERED PROJECT DRAWINGS. THIS CONCEPT SYSTEM DRAWING DOES NOT IMPLY COMPLIANCE WITH LOCAL BUILDING CODES. ACTUAL INSTALLATION MAY VARY DEPENDING ON INSTALLATION LOCATION AND PARAMETERS AND IT MUST BE DONE IN ACCORDANCE TO ALL LOCAL BUILDING CODES. VERIFY WITH LOCAL BUILDINGS OFFICIALS BEFORE COMMENCEMENT OF SYSTEM INSTALLATION. CHANGES OR MODIFICATIONS TO PIPING OR DESIGN IS NOT TO BE PERFORMED WITHOUT EXPRESSED WRITTEN PERMISSION BY NAVIEN, INC.



SYMBOL LEGEND			
	BACKFLOW PREVENTER		CHECK VALVE
	FULL-PORT VALVE		EXPANSION TANK
	CONTROL WIRING		PRESSURE RELIEF VALVE
	CIRCULATOR		THERMOSTAT
	CONDENSATE TRAP		UNION
	AIR ELIMINATION		BALL DRAIN VALVE
	OUTDOOR TEMPERATURE SENSOR		AUTOMATIC AIR VENT
	WYE STRAINER W/ BLOWDOWN		CASCADE CABLE
			PRESSURE REDUCING VALVE



20 GOODYEAR  
IRVINE, CA 92618  
800-519-8794  
www.navienc.com

NFB-H SERIES BOILER

(2) NFB-H BOILERS WITH  
INDIVIDUAL SECONDARY INJECTION PIPING  
INCLUDES MODELS NFB-175H, 200H

DRAWN BY: S. STOIKE

NFB-H-2-ZP-MULT-I

MAY 23, 2022