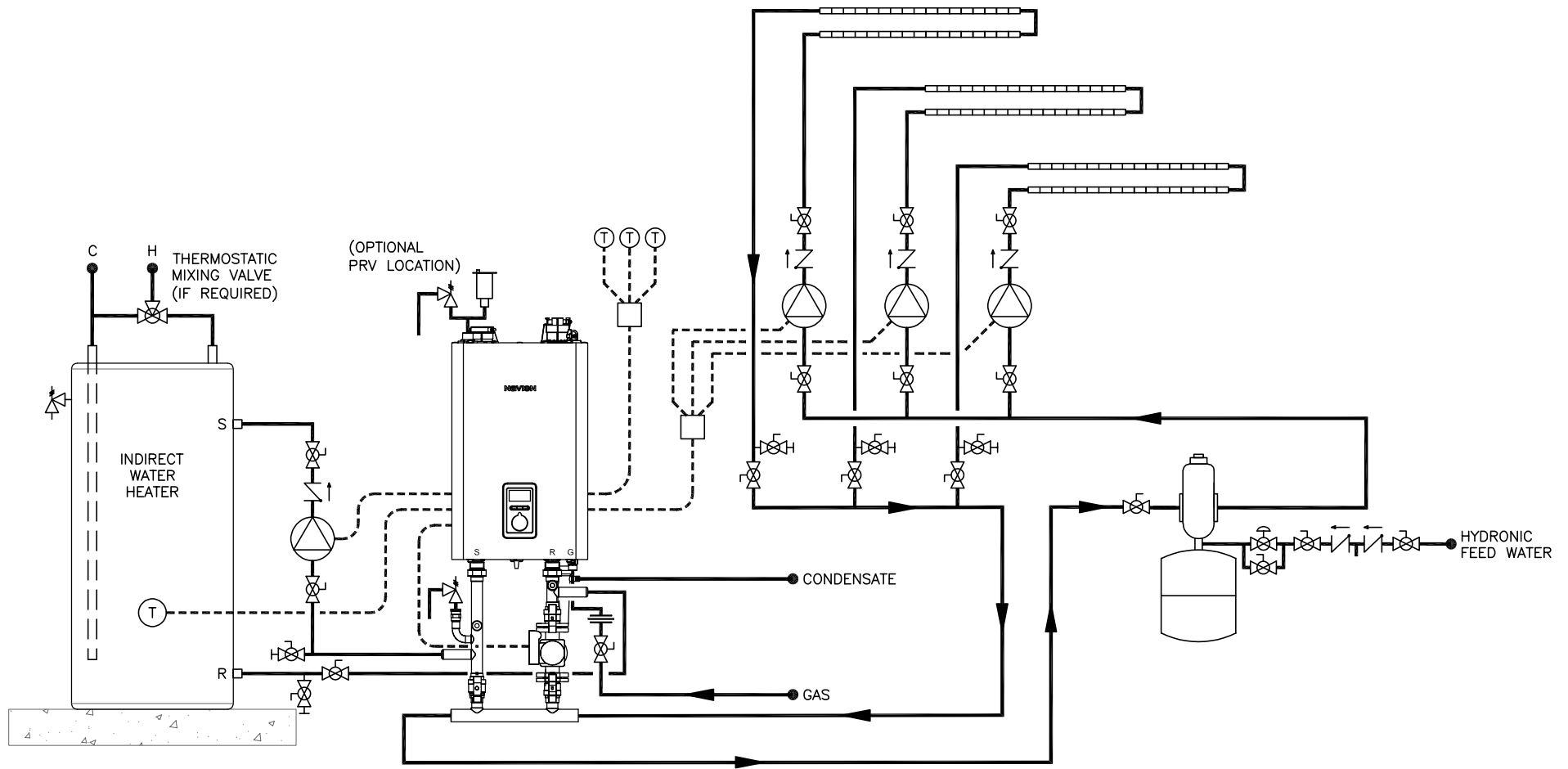


THIS DRAWING IS INTENDED ONLY AS A GUIDE AND NOT AS A REPLACEMENT FOR PROFESSIONALLY ENGINEERED PROJECT DRAWINGS. THIS CONCEPT SYSTEM DRAWING DOES NOT IMPLY COMPLIANCE WITH LOCAL BUILDING CODES. ACTUAL INSTALLATION MAY VARY DEPENDING ON INSTALLATION LOCATION AND PARAMETERS AND IT MUST BE DONE IN ACCORDANCE TO ALL LOCAL BUILDING CODES. VERIFY WITH LOCAL BUILDINGS OFFICIALS BEFORE COMMENCEMENT OF SYSTEM INSTALLATION. CHANGES OR MODIFICATIONS TO PIPING OR DESIGN IS NOT TO BE PERFORMED WITHOUT EXPRESSED WRITTEN PERMISSION BY NAVIEN, INC.

NFB-H UNIT CAN INTERNALLY CONTROL UP TO 3 ZONE CIRCULATORS/ZONE VALVES, WITHOUT A ZONE CONTROL PANEL INSTALLED. ANY ADDITIONAL ZONES SHALL REQUIRE A CIRC ZONE PANEL. REFER TO NAVIEN I & O MANUAL FOR ADDITIONAL INFORMATION.



| SYMBOL LEGEND | | | |
|---------------|---------------------------|--|-----------------------|
| | BACKFLOW PREVENTER | | CHECK VALVE |
| | FULL-PORT VALVE | | EXPANSION TANK |
| | CONTROL WIRING | | PRESSURE RELIEF VALVE |
| | CIRCULATOR | | THERMOSTAT |
| | CONDENSATE TRAP | | AIR ELIMINATION |
| | COPPER BASEBOARD FIN TUBE | | UNION |
| | BALL DRAIN VALVE | | MIXING VALVE |
| | PRESSURE REDUCING VALVE | | AUTOMATIC AIR VENT |
| | MANIFOLD | | |



20 GOODYEAR
IRVINE, CA 92618
800-519-8794
www.navienc.com

NFB-H SERIES BOILER

(1) NFB-H BOILER WITH MULTIPLE ZONE CIRCULATORS AND INDIRECT WATER HEATER SHOWN WITH NAVIEN NFB MANIFOLD KIT PART#GFFM-MSOZUS-002 INCLUDES MODELS NFB-175H, 200H

DRAWN BY: S. STOEKE

NFB-H-1-3ZP-IDWH-PM

MAY 24, 2022