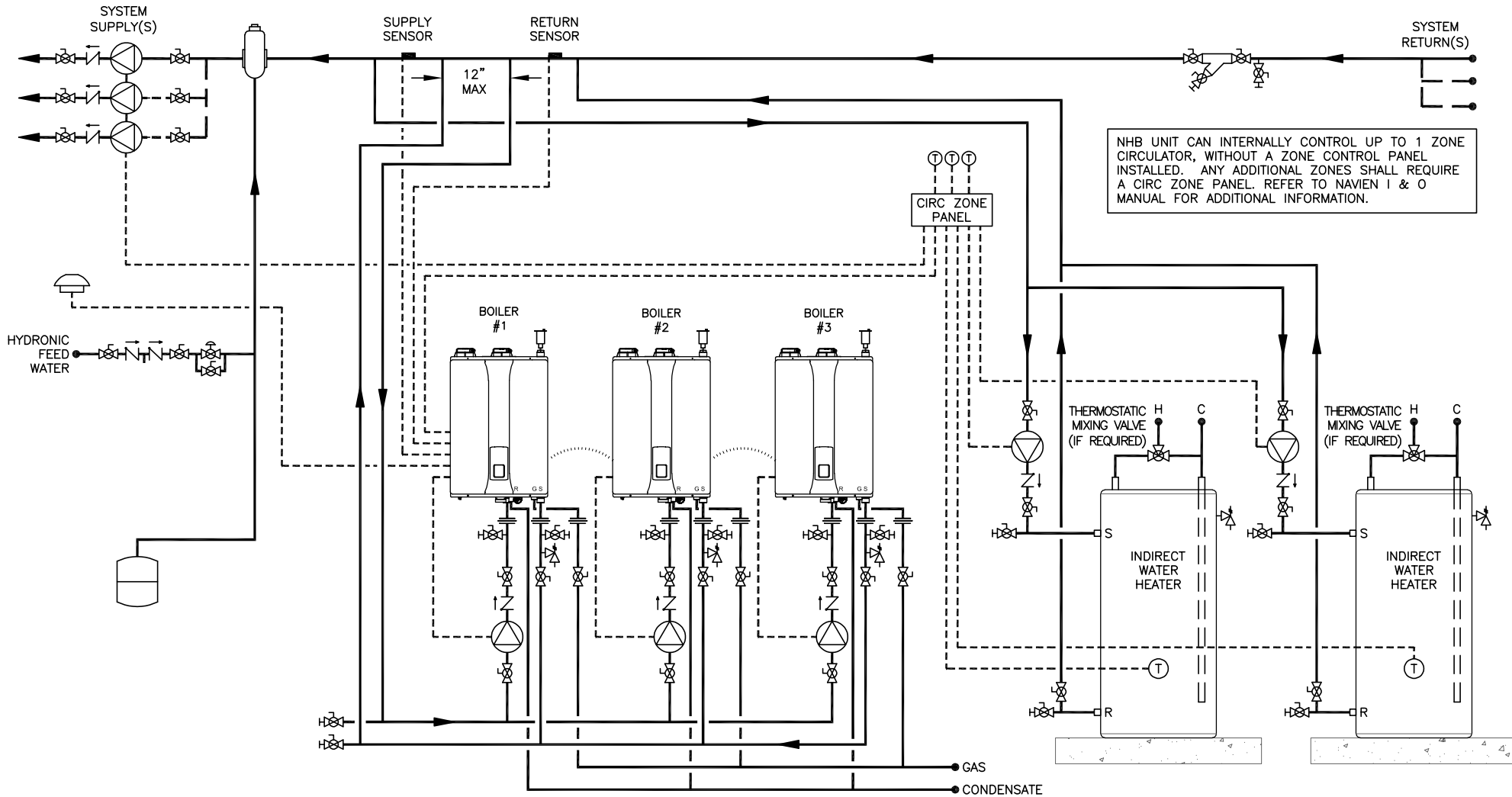


THIS DRAWING IS INTENDED ONLY AS A GUIDE AND NOT AS A REPLACEMENT FOR PROFESSIONALLY ENGINEERED PROJECT DRAWINGS. THIS CONCEPT SYSTEM DRAWING DOES NOT IMPLY COMPLIANCE WITH LOCAL BUILDING CODES. ACTUAL INSTALLATION MAY VARY DEPENDING ON INSTALLATION LOCATION AND PARAMETERS AND IT MUST BE DONE IN ACCORDANCE TO ALL LOCAL BUILDING CODES. VERIFY WITH LOCAL BUILDINGS OFFICIALS BEFORE COMMENCEMENT OF SYSTEM INSTALLATION. CHANGES OR MODIFICATIONS TO PIPING OR DESIGN IS NOT TO BE PERFORMED WITHOUT EXPRESSED WRITTEN PERMISSION BY NAVIEN, INC.



NHB UNIT CAN INTERNALLY CONTROL UP TO 1 ZONE CIRCULATOR, WITHOUT A ZONE CONTROL PANEL INSTALLED. ANY ADDITIONAL ZONES SHALL REQUIRE A CIRC ZONE PANEL. REFER TO NAVIEN I & O MANUAL FOR ADDITIONAL INFORMATION.

SYMBOL LEGEND			
	BACKFLOW PREVENTER		CHECK VALVE
	FULL-PORT VALVE		EXPANSION TANK
	CONTROL WIRING		PRESSURE RELIEF VALVE
	CIRCULATOR		THERMOSTAT
	OUTDOOR TEMPERATURE SENSOR		AIR ELIMINATION
	UNION		BALL DRAIN VALVE
	WYE STRAINER W/ BLOWDOWN		MIXING VALVE
	AUTOMATIC AIR VENT		PRESSURE REDUCING VALVE
			CASCADE CABLE

**Navien**  
 20 GOODYEAR  
 IRVINE, CA 92618  
 800-519-8794  
 www.navienc.com

NHB SERIES BOILER  
 (3) NHB BOILERS WITH (2) INDIRECT WATER HEATERS  
 COMMON SECONDARY INJECTION PIPING  
 INCLUDES MODELS NHB-55,80,110,150  
 DRAWN BY: S. STOECHE  
 NHB-3-ZP-MULT-IDWH-2-C  
 JULY 20, 2022