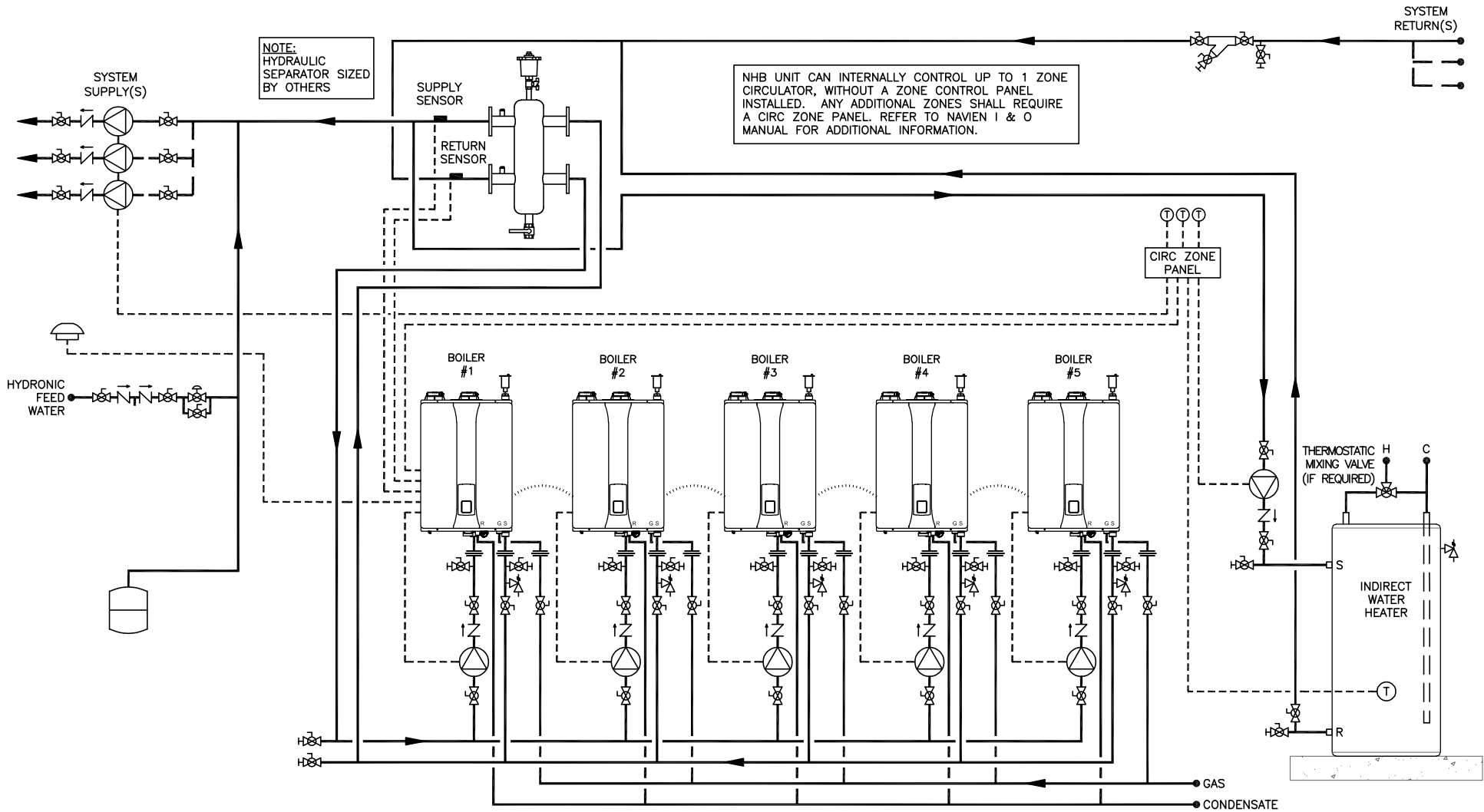


THIS DRAWING IS INTENDED ONLY AS A GUIDE AND NOT AS A REPLACEMENT FOR PROFESSIONALLY ENGINEERED PROJECT DRAWINGS. THIS CONCEPT SYSTEM DRAWING DOES NOT IMPLY COMPLIANCE WITH LOCAL BUILDING CODES. ACTUAL INSTALLATION MAY VARY DEPENDING ON INSTALLATION LOCATION AND PARAMETERS AND IT MUST BE DONE IN ACCORDANCE TO ALL LOCAL BUILDING CODES. VERIFY WITH LOCAL BUILDINGS OFFICIALS BEFORE COMMENCEMENT OF SYSTEM INSTALLATION. CHANGES OR MODIFICATIONS TO PIPING OR DESIGN IS NOT TO BE PERFORMED WITHOUT EXPRESSED WRITTEN PERMISSION BY NAVIEN, INC.



20 GOODYEAR  
IRVINE, CA 92618  
800-519-8794  
www.navienc.com

NHB SERIES BOILER

(5) NHB BOILERS WITH INDIRECT WATER HEATER  
COMMON SECONDARY INJECTION PIPING WITH HYDRAULIC SEPARATOR  
INCLUDES MODELS NHB-55,80,110,150

DRAWN BY: S. STOIKE

NHB-5-ZP-MULT-IDWH-C-HS

JULY 27, 2022

SYMBOL LEGEND

BACKFLOW PREVENTER	CHECK VALVE	FULL-PORT VALVE	EXPANSION TANK
CONTROL WIRING	PRESSURE RELIEF VALVE	CIRCULATOR	THERMOSTAT
OUTDOOR TEMPERATURE SENSOR	AIR ELIMINATION	UNION	BALL DRAIN VALVE
WYE STRAINER W/ BLOWDOWN	AUTOMATIC AIR VENT	MIXING VALVE	PRESSURE REDUCING VALVE
	HYDRAULIC SEPARATOR	CASCADE CABLE	