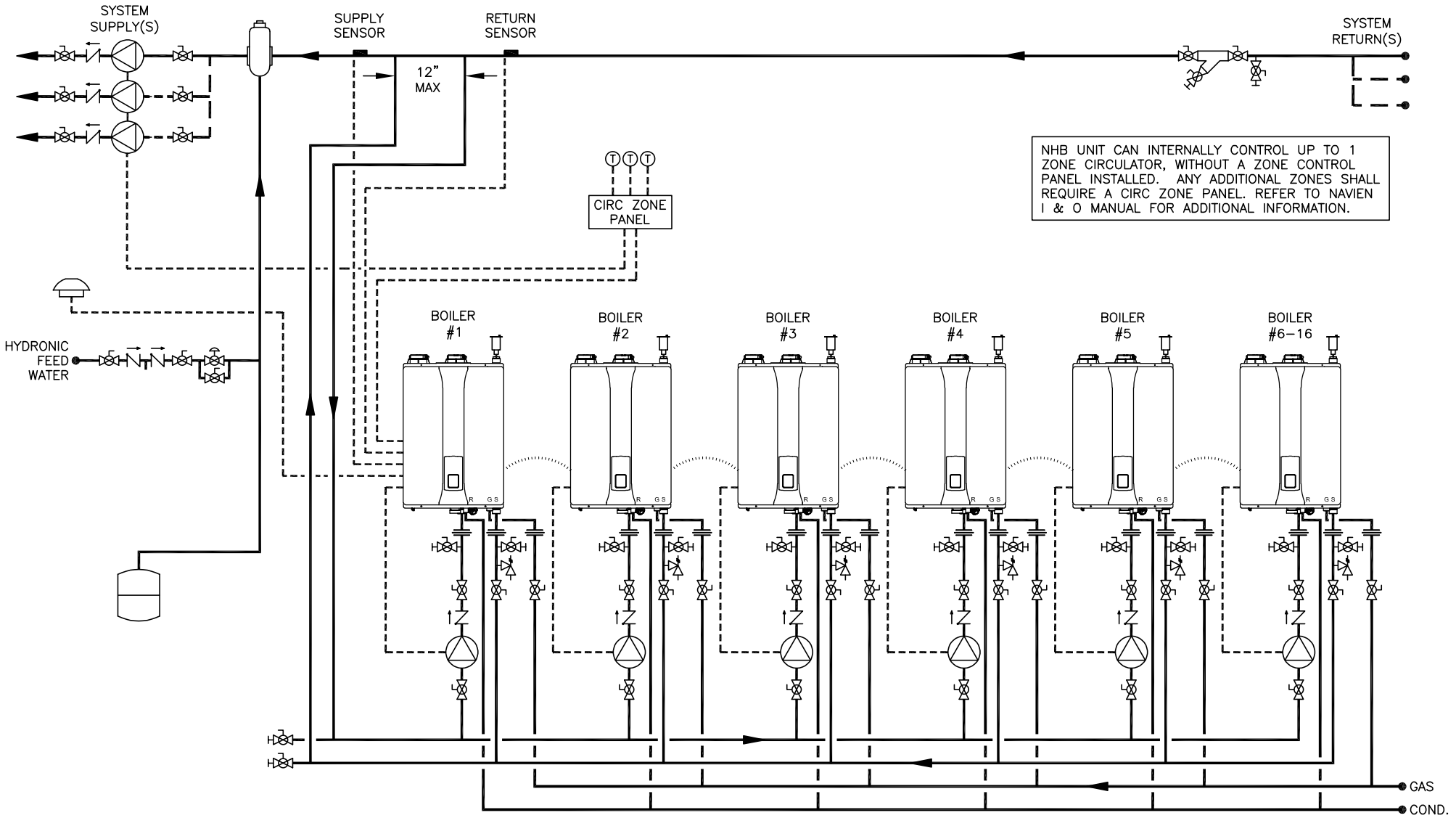


THIS DRAWING IS INTENDED ONLY AS A GUIDE AND NOT AS A REPLACEMENT FOR PROFESSIONALLY ENGINEERED PROJECT DRAWINGS. THIS CONCEPT SYSTEM DRAWING DOES NOT IMPLY COMPLIANCE WITH LOCAL BUILDING CODES. ACTUAL INSTALLATION MAY VARY DEPENDING ON INSTALLATION LOCATION AND PARAMETERS AND IT MUST BE DONE IN ACCORDANCE TO ALL LOCAL BUILDING CODES. VERIFY WITH LOCAL BUILDINGS OFFICIALS BEFORE COMMENCEMENT OF SYSTEM INSTALLATION. CHANGES OR MODIFICATIONS TO PIPING OR DESIGN IS NOT TO BE PERFORMED WITHOUT EXPRESSED WRITTEN PERMISSION BY NAVIEN, INC.



NHB UNIT CAN INTERNALLY CONTROL UP TO 1 ZONE CIRCULATOR, WITHOUT A ZONE CONTROL PANEL INSTALLED. ANY ADDITIONAL ZONES SHALL REQUIRE A CIRC ZONE PANEL. REFER TO NAVIEN I & O MANUAL FOR ADDITIONAL INFORMATION.

SYMBOL LEGEND			
	BACKFLOW PREVENTER		CHECK VALVE
	CONTROL WIRING		PRESSURE RELIEF VALVE
	OUTDOOR TEMPERATURE SENSOR		AIR ELIMINATION
	WYE STRAINER W/ BLOWDOWN		AUTOMATIC AIR VENT
	EXPANSION TANK		FULL-PORT VALVE
	THERMOSTAT		BALL DRAIN VALVE
	UNION		CASCADE CABLE
	PRESSURE REDUCING VALVE		CIRCULATOR

Navien
 20 GOODYEAR
 IRVINE, CA 92618
 800-519-8794
 www.navienc.com

NHB SERIES BOILER
 (6) TO (16) NHB BOILERS WITH
 COMMON SECONDARY INJECTION PIPING
 INCLUDES MODELS NHB-55,80,110,150
 DRAWN BY: S. STOEKE
 NHB-6+-ZP-MULT-C
 AUGUST 9, 2022