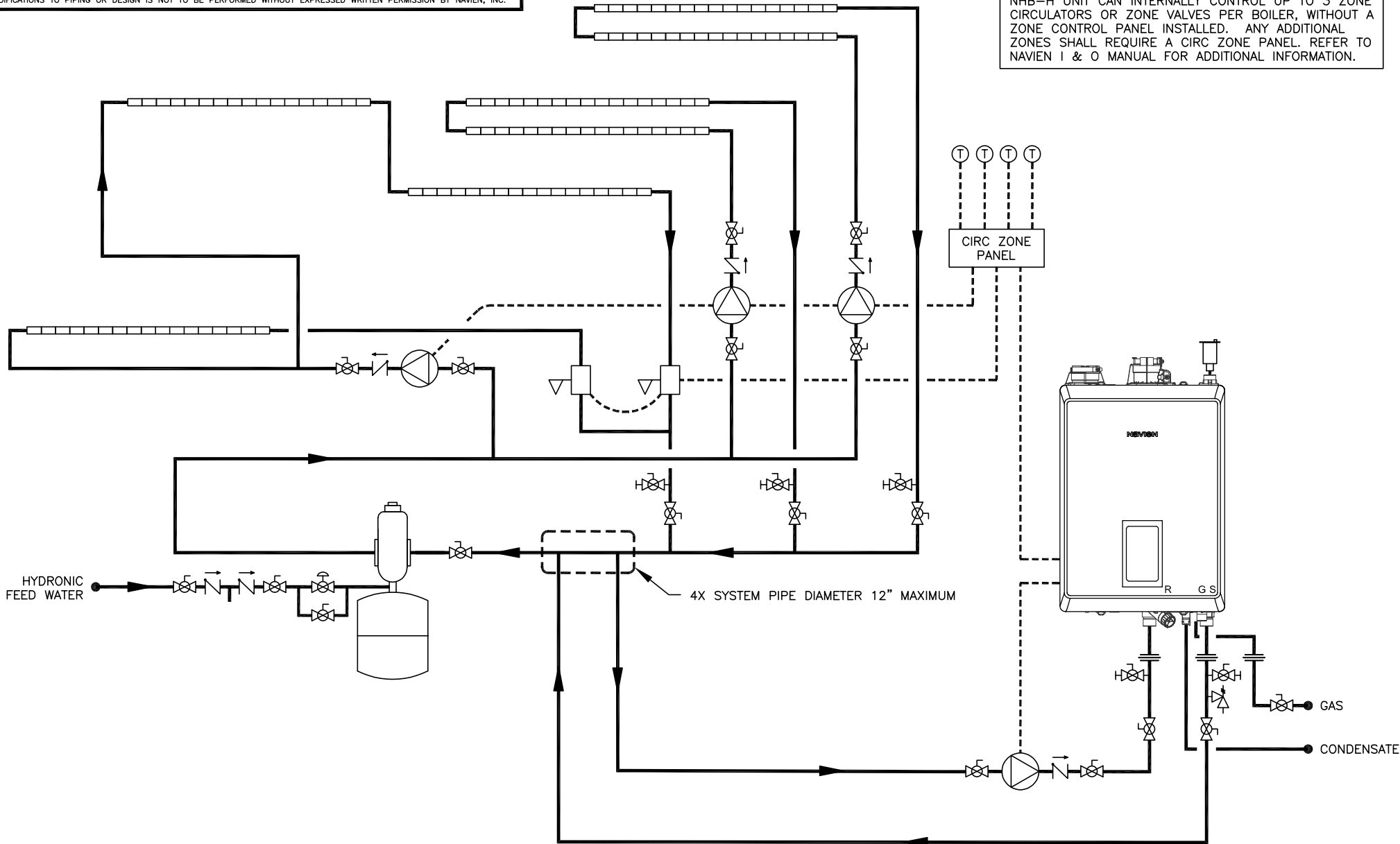


THIS DRAWING IS INTENDED ONLY AS A GUIDE AND NOT AS A REPLACEMENT FOR PROFESSIONALLY ENGINEERED PROJECT DRAWINGS. THIS CONCEPT SYSTEM DRAWING DOES NOT IMPLY COMPLIANCE WITH LOCAL BUILDING CODES. ACTUAL INSTALLATION MAY VARY DEPENDING ON INSTALLATION LOCATION AND PARAMETERS AND IT MUST BE DONE IN ACCORDANCE TO ALL LOCAL BUILDING CODES. VERIFY WITH LOCAL BUILDINGS OFFICIALS BEFORE COMMENCEMENT OF SYSTEM INSTALLATION. CHANGES OR MODIFICATIONS TO PIPING OR DESIGN IS NOT TO BE PERFORMED WITHOUT EXPRESSED WRITTEN PERMISSION BY NAVIEN, INC.

NHB-H UNIT CAN INTERNALLY CONTROL UP TO 3 ZONE CIRCULATORS OR ZONE VALVES PER BOILER, WITHOUT A ZONE CONTROL PANEL INSTALLED. ANY ADDITIONAL ZONES SHALL REQUIRE A CIRC ZONE PANEL. REFER TO NAVIEN I & O MANUAL FOR ADDITIONAL INFORMATION.



**Navien**  
 20 GOODYEAR  
 IRVINE, CA 92618  
 800-519-8794  
 www.navienc.com

NHB-H SERIES BOILER

(1) NHB-H BOILER WITH MULTIPLE ZONE CIRCULATORS AND ZONE VALVES  
 INCLUDES MODELS NHB-55H, 80H, 110H, 150H

DRAWN BY: S. STOEKE

NHB-H-1-2ZP-2ZV

JANUARY 11, 2024

SYMBOL LEGEND			
	BACKFLOW PREVENTER		CHECK VALVE
	FULL-PORT VALVE		EXPANSION TANK
	CONTROL WIRING		PRESSURE RELIEF VALVE
	PRESSURE REDUCING VALVE		CIRCULATOR
	AIR ELIMINATION		THERMOSTAT
	AUTOMATIC AIR VENT		UNION
	COPPER BASEBOARD FIN TUBE		ZONE VALVE
			BALL DRAIN VALVE