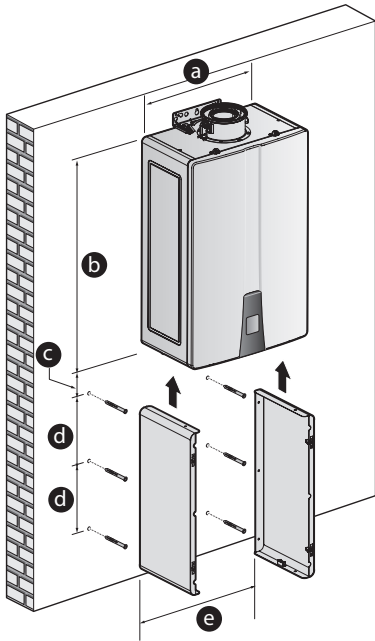


- The Navien Pipe cover conceals any water and gas piping underneath the water heater for more aesthetically pleasing installation setup.
- Compatible with Non-Condensing NHW700-AE/I Series only:
NHW700-160/180/199AE/I
- Functional for both residential and commercial applications with some lightweight assembly required.
- Available in glossy white as an ideal accessory to compliment the Navien NHW700-AE/I Series water heater installation.
- Lightweight construction, made of durable steel.



Item	Dimensions
a	17.3" (440 mm)
b	26.5" (675 mm)
c	1.4" (35 mm)
d	7.5" (190 mm)
e	16.0" (406 mm)



INSTALLATION SAMPLE

NAVIEN WATER HEATER
INDOOR/OUTDOOR MODEL

NAVIEN PIPE COVER



NAVIEN WATER HEATER
OUTDOOR MODEL

NAVIEN PIPE COVER