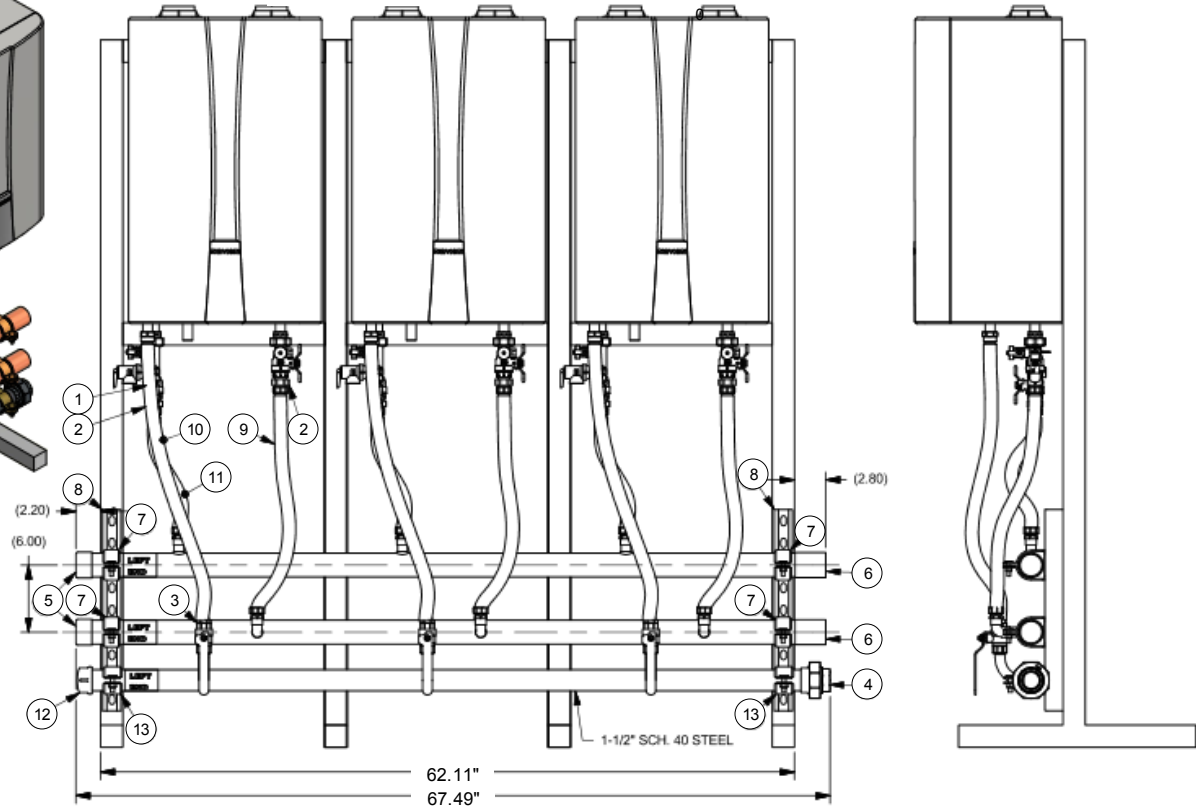
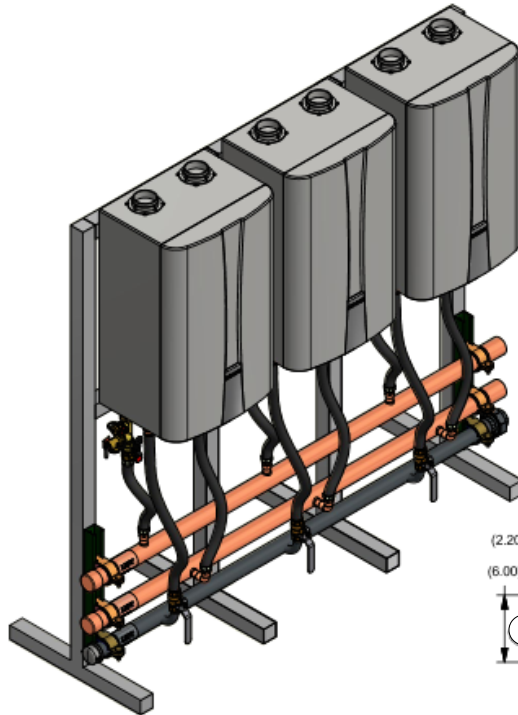


This drawing is intended only as a guide and not as a replacement for professionally engineered project drawings. This concept system drawing does not imply compliance with local building codes. Actual installation may vary depending on installation location & parameters and it must be done in accordance to all local building codes. Verify with local building officials before commencement of system installation.

Note: Navien Ready-Link Side-by-Side Manifolds may be used without Racks for Wall Mount Applications

SHIPPED LOOSE PARTS KIT					
ITEM	QTY	DESCRIPTION	ITEM	QTY	DESCRIPTION
1	3	3/4" WATTS 150# PRV	8	2	1-5/8" X 1-5/8" X 18" 14GA STRUT
2	3	3/4" WATTS TANKLESS SERVICE VALVE KIT w/ BV's	9	3	3/4" x 24" SS CORRUGATED FLEX TUBE
3	3	3/4" BALL VALVE- NPT	10	3	3/4" X 30" PVC COATED SS GAS CONNECTOR
4	1	1-1/2" FPT IRON UNION	11	3	3/4" x 18" SS CORRUGATED FLEX TUBE
5	2	2" CXC CAP	12	1	1-1/2" FPT GALV IRON CAP
6	2	2" CXC CPLG	13	2	1-7/8" OD CUSHIONED CLAMP
7	4	2-1/8" STRUT CLAMP	14	1	HARDWARE BOLT KIT



20 Goodyear
Irvine, CA 92618
800-519-8794
www.navieninc.com

NPE Series Tankless Water Heater

Navien Ready-Link Manifold
3-Unit Side-by-Side Manifold Kit - #30019041A
Page 1

Drawn By: B. Fenske

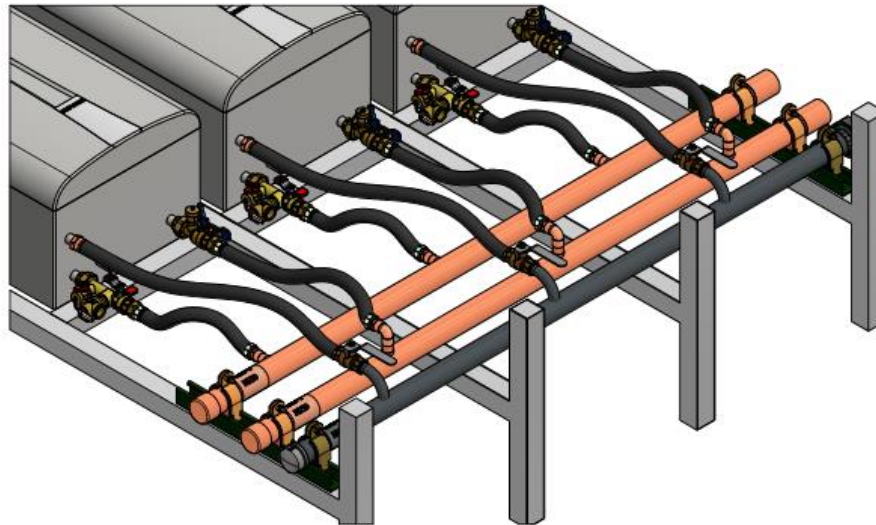
NPE-RDYLKMN-3SS-BF01

February 1, 2018

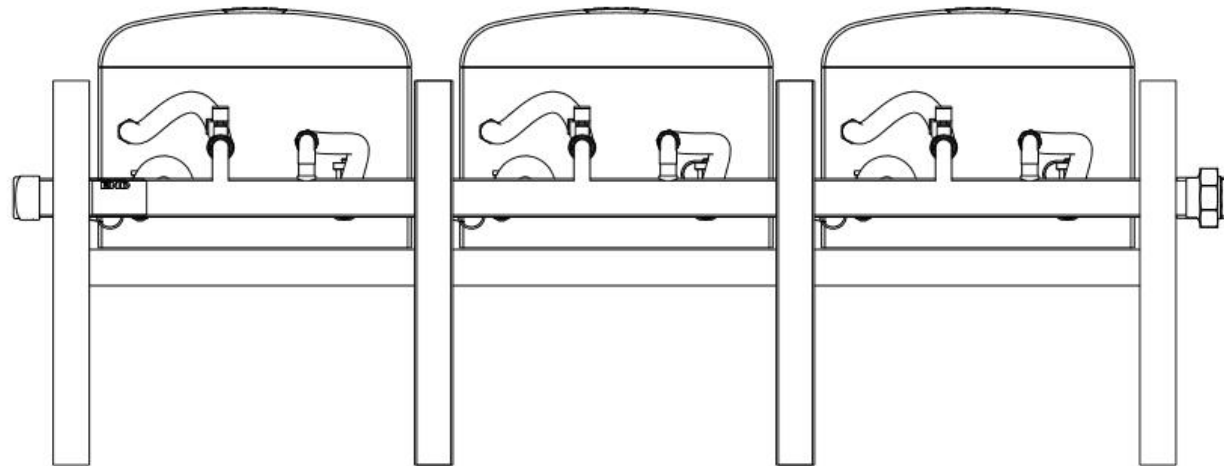


Tankless Manifold
&
Rack Systems

This drawing is intended only as a guide and not as a replacement for professionally engineered project drawings. This concept system drawing does not imply compliance with local building codes. Actual installation may vary depending on installation location & parameters and it must be done in accordance to all local building codes. Verify with local building officials before commencement of system installation.



Bottom View



20 Goodyear
Irvine, CA 92618
800-519-8794
www.navieninc.com

NPE Series Tankless Water Heater

Navien Ready-Link Manifold
3-Unit Side-by-Side Manifold Kit - #30019041A
Page 2

Drawn By: B. Fenske

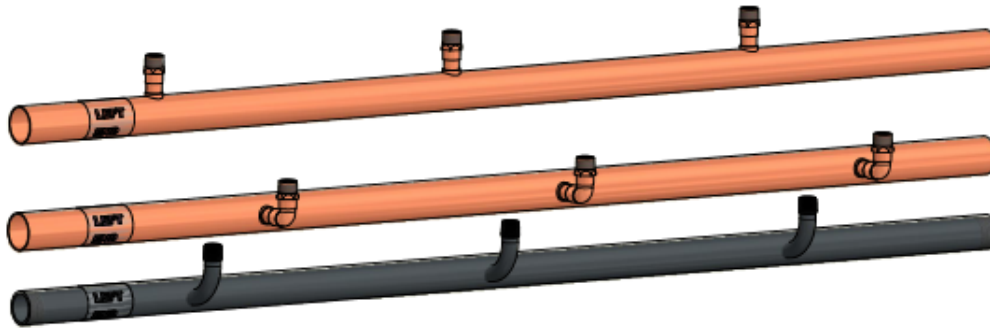
NPE-RDYLKMN-3SS-BF01

February 1, 2018



Tankless Manifold
&
Rack Systems

This drawing is intended only as a guide and not as a replacement for professionally engineered project drawings. This concept system drawing does not imply compliance with local building codes. Actual installation may vary depending on installation location & parameters and it must be done in accordance to all local building codes. Verify with local building officials before commencement of system installation.



Manifold Piping
 2" CTS Water Pipe
 1-1/2" FPT Gas

One Additional Manifold Kit may be added for additional tankless units

* Total tankless count on one distribution manifold is up to 8 units.

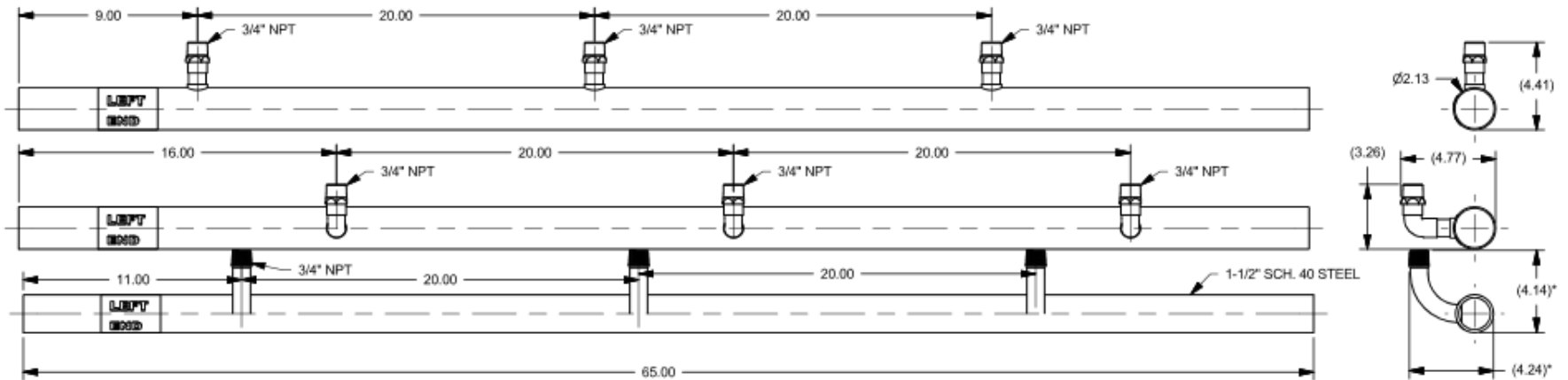
Use one below:

#30019040A – 2 additional tankless (5 total)

#30019041A – 3 additional tankless (6 total)

#30019043A – 4 additional tankless (7 total)

(Unused connection ports will require service caps)



20 Goodyear
 Irvine, CA 92618
 800-519-8794
 www.navieninc.com

NPE Series Tankless Water Heater

Navien Ready-Link Manifold
 3-Unit Side-by-Side Manifold Kit - #30019041A
 Page 3

Drawn By: B. Fenske

NPE-RDYLKMN-3SS-BF01

February 1, 2018



Tankless Manifold
 &
 Rack Systems