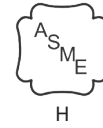


## Condensing Gas Hydro-furnace

- Certified design according to the latest edition of **ANSI Z21.47 / CSA 2.3** and **Z21.13 / CSA 4.9**
- Certified by **Intertek, AHRI, ASME, SCAQMD** (Rule 1111 for NOx emissions of 14 ng/J or 20 ppm at 3% O2)
- Compatible with **Natural Gas (NG)** and **Propane (LP)\***  
\*requires installation of included Field Conversion Kit by qualified installer, servicer, or gas supplier
- **AFUE Ratings - 97%** (NG/LP)
  - Upflow **NPF700-060U3BH** and **NPF700-100U5CH**
  - Horizontal **NPF700-060H3BH** and **NPF700-100H5CH**
- **Variable Capacity Operation** - modulating burner and blower work together to provide an industry leading 15% to 100% firing rate
- **Durable Stainless Steel Combustion Heat Exchanger** - located out of the air stream creates one of the quietest furnaces available on the market
- Compatible with **2" PVC** vent up to 70 ft\*\* and **3" PVC** vent up to 140 ft\*\*  
\*\*with no elbows
- **EZNav™** back-lit Control Panel - Startup and Service Wizards provide intuitive configuration. Diagnostics are streamlined for easy access.
- **Low Voltage Terminal Strip** - contacts for 1-2 stage Thermostats, Humidifier, Dehumidifier, Humidistat, Outdoor Reset, Safety Shutdown input and Alarm output
- **Line Voltage Contacts** for field installed accessories.
- **Outdoor Reset Sensor** - optional accessory that adjusts the furnace operation based on outdoor temperature for maximum comfort and efficiency
- **High Altitude Conversion Kit** - factory supplied for installations up to 10,100 ft.
- **Auto-Water Fill** or manual fill provide installation flexibility
- Cleanable **external condensate trap** (upflow) - left or right convertible
- **ECM variable speed blower motor** - provides quiet, efficient operation
- **Flame Rod & Igniter** - located to provide easy access for maintenance
- **Limited Lifetime Combustion Heat Exchanger Warranty** - 10 year Parts / 1 year Labor (must be registered as Residential)
- **Commercial Warranty\*\*\*\*** - 10 year Heat Exchanger / 1 year Parts / 1 year Labor  
\*\*\*\* see Navien Limited Warranty terms



### Optional Accessories



Residential Neutralizer  
**GXXX002212**

Residential  
Replacement Media  
**GXXX001323**



Outdoor Sensor & Wire  
**30012950A**

## Condensing Gas Hydro-furnace

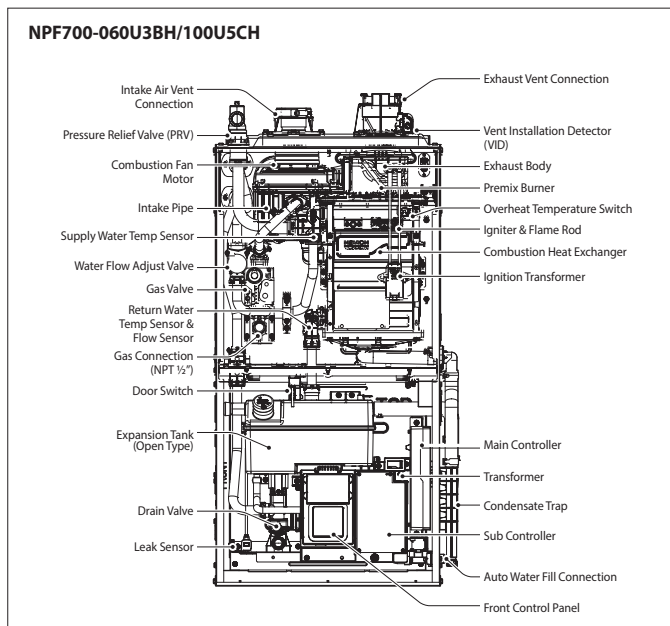
### Heating Capacity and Efficiency

Items		NPF700-060U3BH NPF700-060H3BH	NPF700-100U5CH NPF700-100H5CH
Heating (Gas Input) Natural/Propane Gas (BTU/h)	Max Heat	60,000	100,000
	Min Heat	9,000	14,000
AFUE (%)		97	97
AHRI Reference Number		213301707 (NG/LP)	213301708 (NG/LP)
Certified Temperature Rise Range °F (°C)	Max heat	45-75 (25-42)	
	Min heat	5-35 (3-19)	10-40 (6-22)
Burner control		Modulating	

### Airflow Capacity and Blower Data

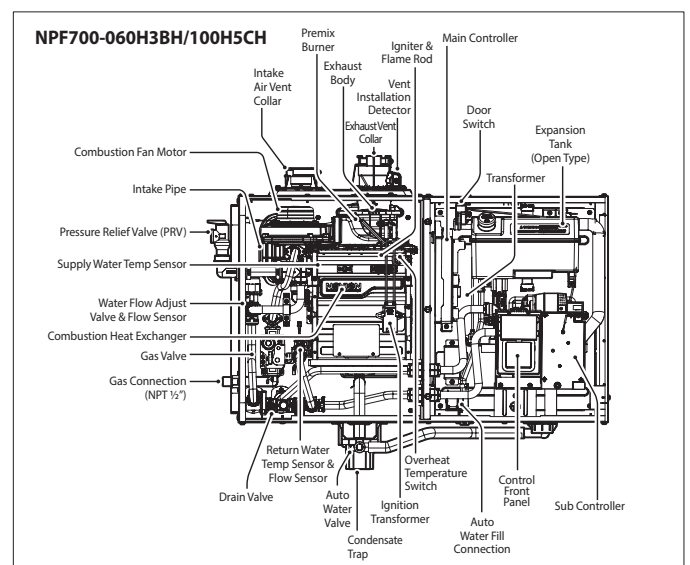
Items		NPF700-060U3BH NPF700-060H3BH	NPF700-100U5CH NPF700-100H5CH
Certified External Static Pressure	Heating	Certified external static pressure 0.1" to 1.0" WC	
	Cooling		
Airflow Delivery Range [CFM] (Rated ESP)	Max heat	720-1,200	1,200-2,000
	Min heat	350-1,200	400-2,000
	Cooling	1,200	2,000
Nominal Cooling Capacity (TON)	@400CFM	1.5-3.0	2.0-5.0
	@350CFM	1.5-3.5	2.0-5.5
Circulator Blower	DxW	12" x 10"	12" x 12"
	Horsepower	1/2	1
	Motor full load amps	7.6	11.0
	Motor speed & type	Variable, Electronically Commutated Motor (ECM)	

### Components



### Specifications

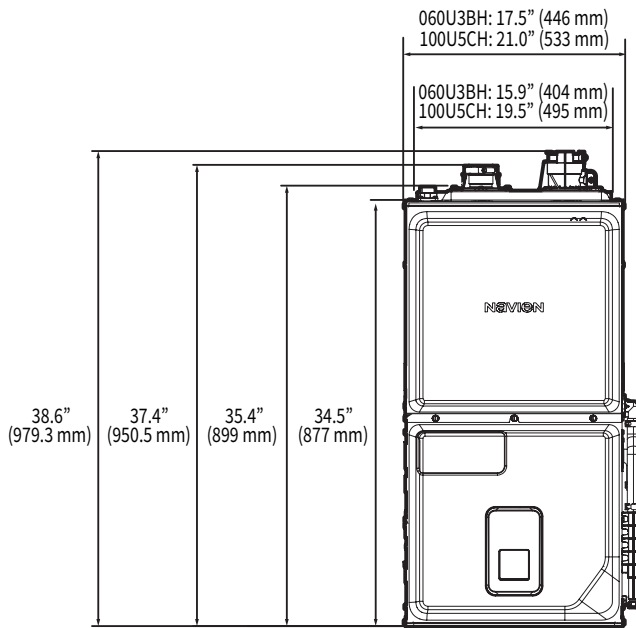
Items		NPF700-060U3BH NPF700-060H3BH	NPF700-100U5CH NPF700-100H5CH
Installation type		Upflow or Horizontal (Left)	
Venting type		Forced draft direct vent or non-direct vent	
Maximum vent length	2"	70 ft.	
	3"	140 ft.	
Ignition		Electronic ignition	
Natural gas supply pressure (from source)		3.5" to 10.5" WC	
Propane gas supply pressure (from source)		8.0" to 13.0" WC	
Natural gas manifold pressure		-0.01" to -0.02" WC	
Propane gas manifold pressure		-0.01" to -0.02" WC	
Gas connection size		1/2" NPT	
Water connection size		1/4" NPT	
Condensate size		3/4" NPT	
Materials	Casing	Corrosion resistant baked on pre-painted steel	
	Combustion heat exchanger	Stainless steel	
	Hydronic heat exchanger	Copper & aluminum	
Venting	Exhaust	2" or 3" PVC, CPVC, approved PP 2" or 3" special gas vent type BH (Class III, A/B/C) 2" or 3" SS	
	Intake	2" or 3" PVC, CPVC, PP 2" or 3" special gas vent type BH (Class III, A/B/C) 2" or 3" SS	
	Vent clearance	0" to combustibles	
Safety devices		Flame rod, ignition operation detector, water temperature high limit switch, high limit sensor for exhaust temperature, Vent Installation Detector (VID), water level sensor, burner high limit sensor, Pressure Relief Valve (PRV), leak sensor	
Dimension in (cm) (W x D x H)	Upflow	17.5 x 31 x 34.5 (44.5 x 78.5 x 87.7)	21 x 31 x 34.5 (53.5 x 78.5 x 87.7)
	Horizontal	34.5 x 31 x 17.5 (87.7 x 78.5 x 44.5)	34.5 x 31 x 21 (87.7 x 78.5 x 53.5)
Shipping weight lb (kg)		145.0 (65.8)	167.6 (76.0)
Power supply		120V AC, 60 Hz	
Max current (A)		10.9	14.3
Circuit breaker amps (A)		15	20
Wire size (AWG)		14	12



## Condensing Gas Hydro-furnace

### Dimensions

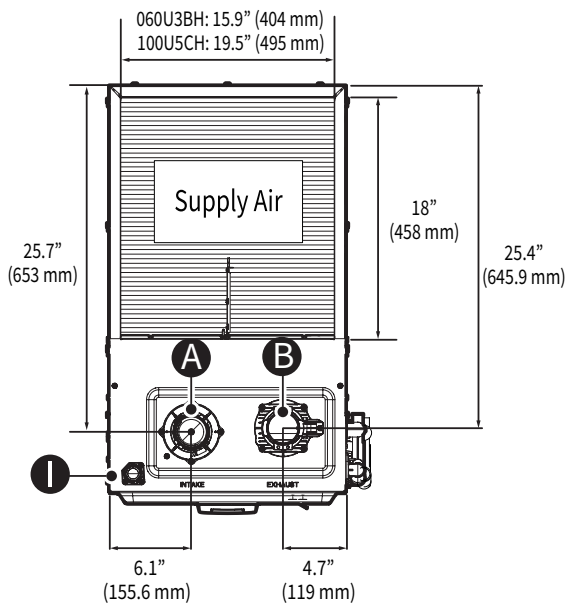
#### NPF700-060U3BH/100U5CH



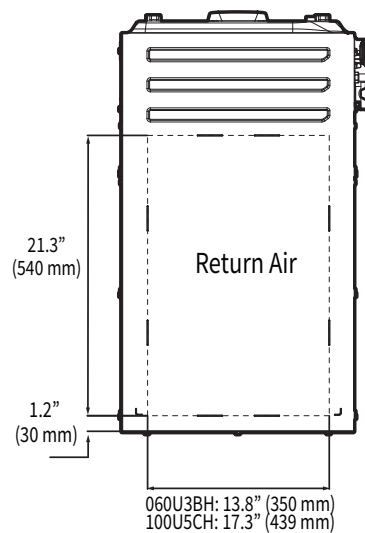
[Front View]

	Description	Diameter
A	Air intake	2 in
B	Exhaust gas vent	2 in
C	Gas connection	1.8 in (NPT ½")
D	Condensate drain	NPT ¾" (Ø19 mm)
E	Overflow connection	1.8 in (Ø44.5 mm)
F	Electrical connection low voltage	0.9 in (Ø22.2 mm)
G	Electrical connection line voltage	0.9 in (Ø22.2 mm)
H	Water supply connection	NPT ¼" (Ø6.3 mm)

[Connections Size]



[Top View]

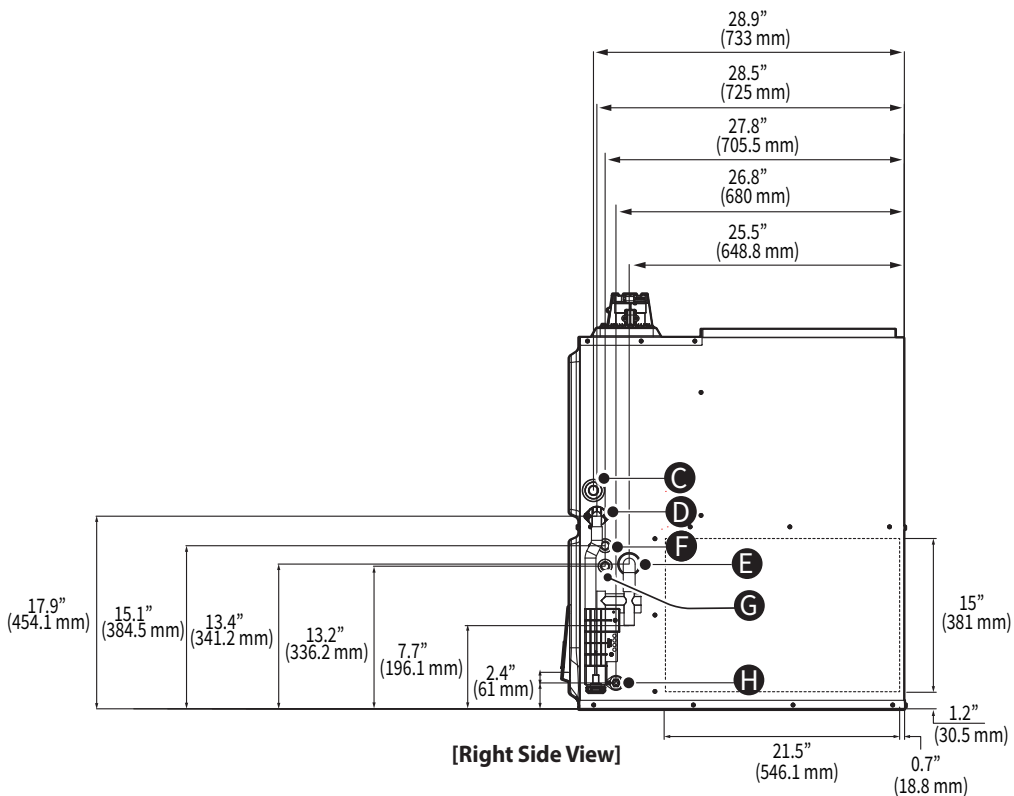
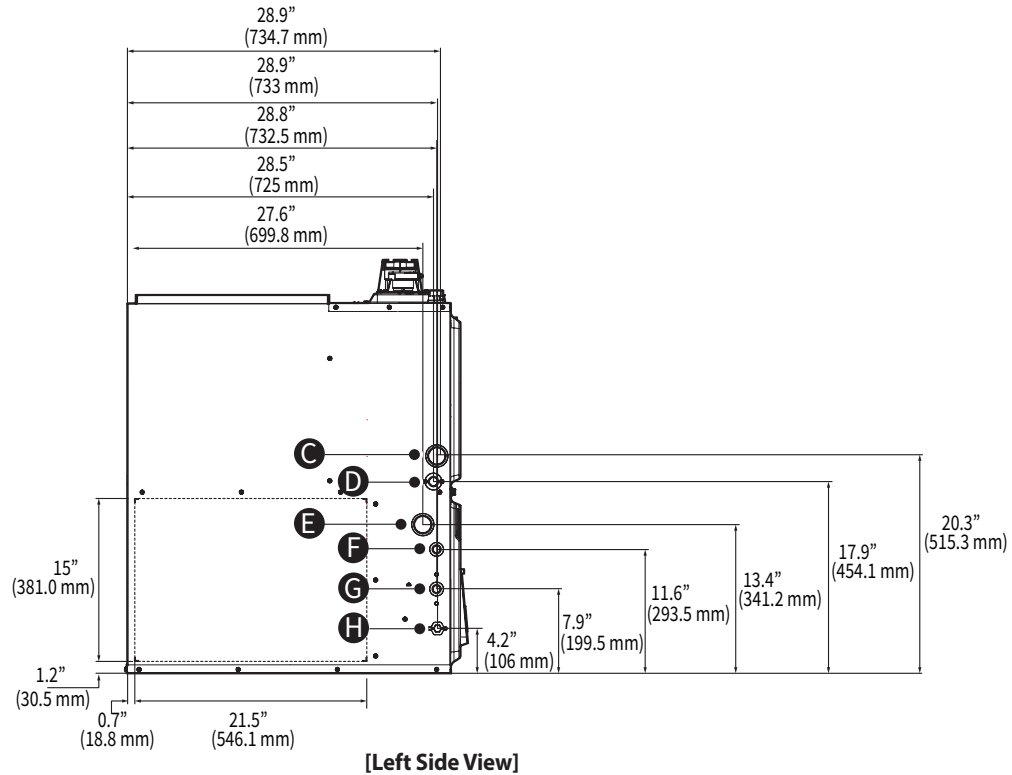


[Bottom View]

## Condensing Gas Hydro-furnace

### Dimensions

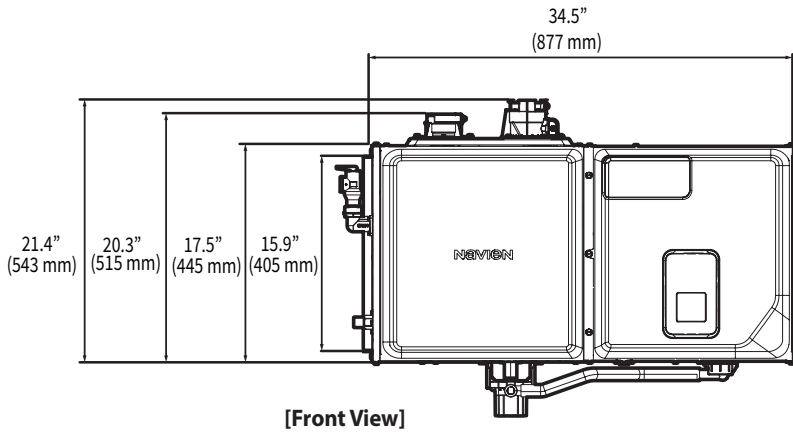
NPF700-060U3BH/100U5CH



## Condensing Gas Hydro-furnace

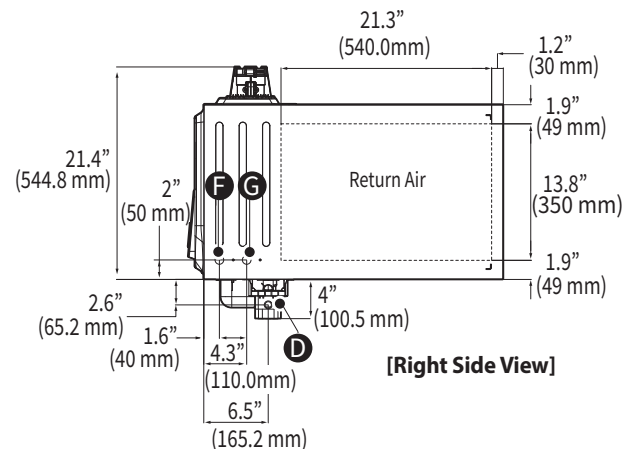
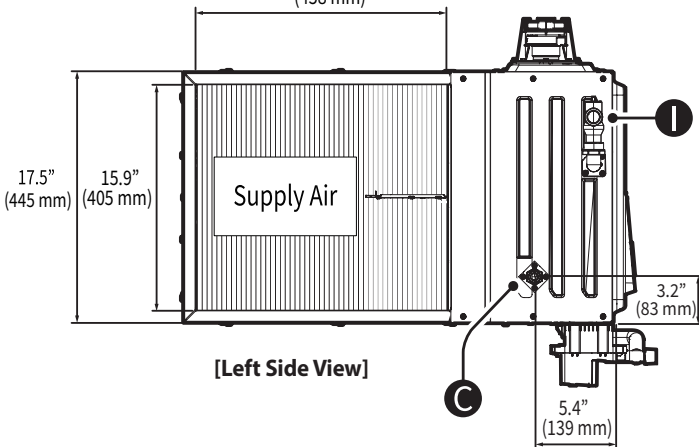
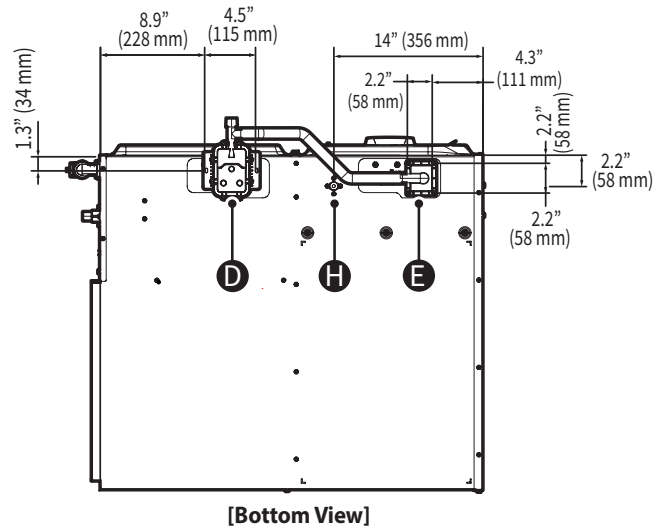
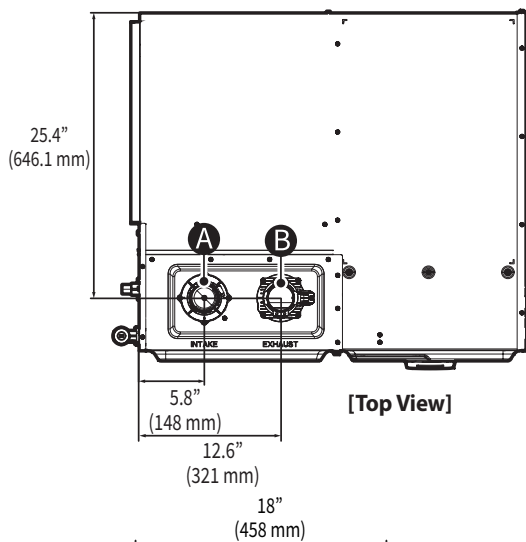
### Dimensions

**NPF700-060H3BH**



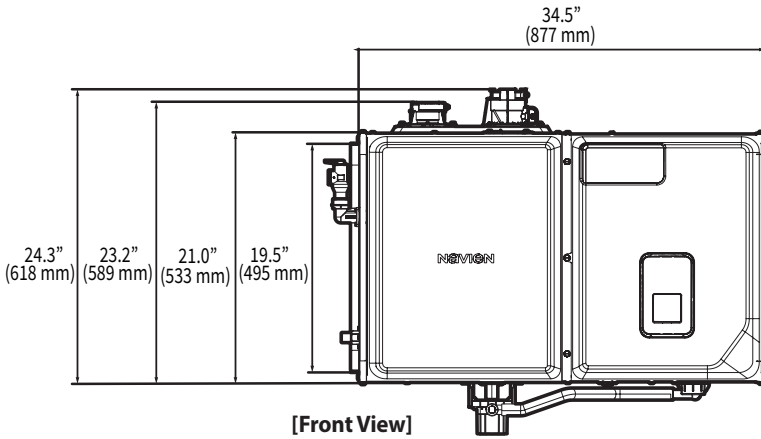
	Description	Diameter
A	Air intake	2 in
B	Exhaust gas vent	2 in
C	Gas connection	1.8 in (NPT 1/2")
D	Condensate drain	NPT 3/4" (Ø19 mm)
E	Overflow connection	1.8 in (Ø44.5 mm)
F	Electrical connection low voltage	0.9 in (Ø22.2 mm)
G	Electrical connection line voltage	0.9 in (Ø22.2 mm)
H	Water supply connection	NPT 1/4" (Ø6.3 mm)

**[Connection Sizes]**



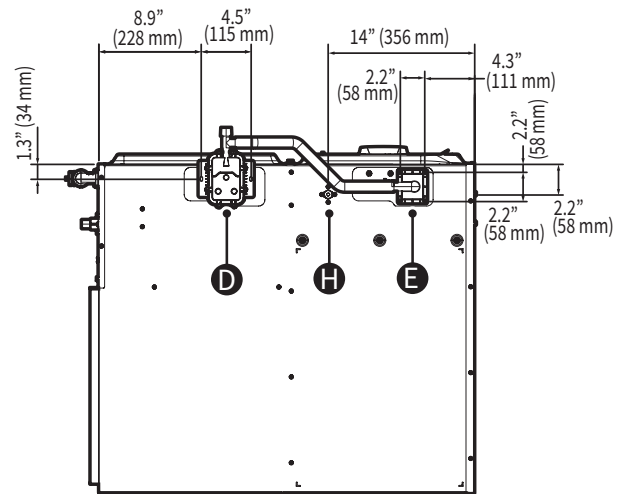
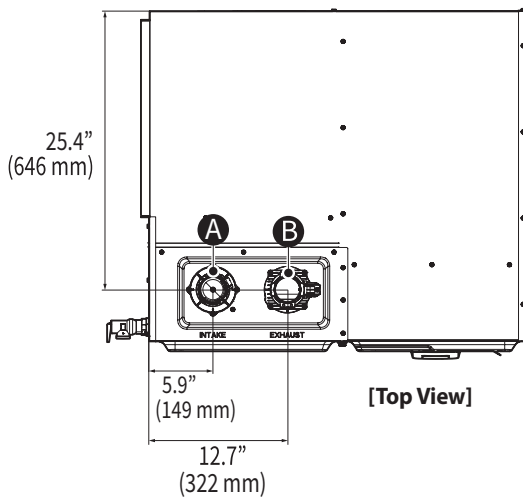
## Condensing Gas Hydro-furnace

### Dimensions NPF700-100H5CH



	Description	Diameter
A	Air intake	2 in
B	Exhaust gas vent	2 in
C	Gas connection	1.8 in (NPT 1/2")
D	Condensate drain	NPT 3/4" (Ø19 mm)
E	Overflow connection	1.8 in (Ø44.5 mm)
F	Electrical connection low voltage	0.9 in (Ø22.2 mm)
G	Electrical connection line voltage	0.9 in (Ø22.2 mm)
H	Water supply connection	NPT 1/4" (Ø6.3 mm)

**[Connection Sizes]**



**[Bottom View]**

