

navien

Outdoor Vent Cover Installation Manual

For Universal Models:
NPN-160U/180U/199U

This kit must be installed by a qualified installer in accordance with these instructions and all applicable codes and requirements of the authorities having jurisdiction.

Keep this manual near the water heater for future reference whenever maintenance or service is required. The following safety symbols are used in this manual.

Read and follow all safety instructions in this manual precisely to avoid unsafe operating conditions, fire, explosion, property damage, personal injury, or death.

DANGER

Indicates an imminently hazardous situation which, if not avoided, could result in severe injury or death.

WARNING

Indicates a potentially hazardous situation which, if not avoided, could result in injury or death.

CAUTION

Indicates a potentially hazardous situation that, if not avoided, could result in property damage.

DANGER

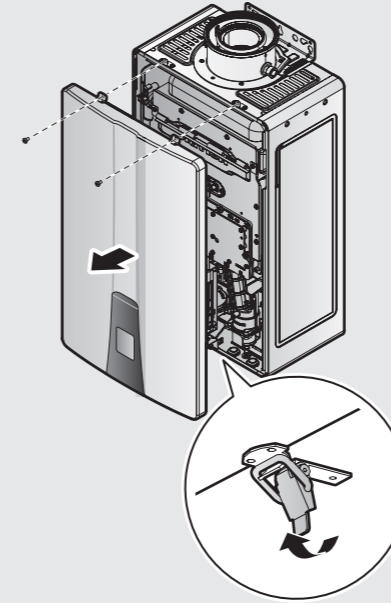
If the information in these instructions is not followed exactly, a fire or explosion may result, causing property damage, personal injury, or death.

- Installation and service must be performed by a qualified installer, service agency or the gas supplier.
- The installation must conform with local codes or, in the absence of local codes, the National Fuel Gas Code, ANSI Z223.1/NFPA 54 and/or CSA B149.1, Natural Gas and Propane Installation Code.

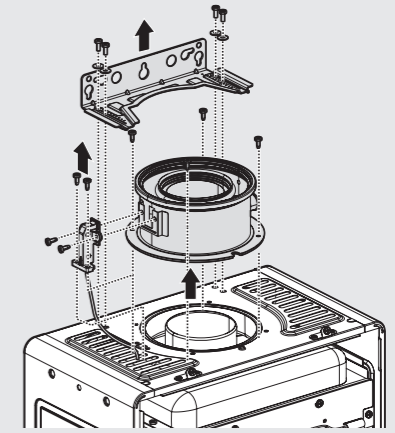
Installing Outdoor Vent Cover

Note The vent collar must be removed by completing steps 1 through 3 prior to mounting the water heater on the wall.

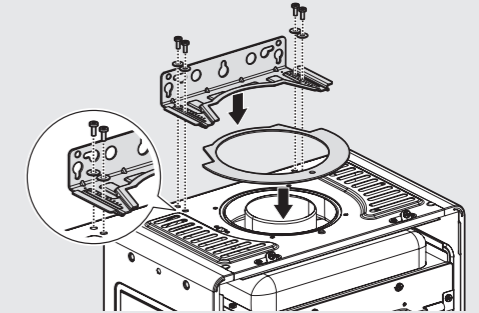
1. Remove the two upper screws from the front cover assembly using a Phillips head screwdriver. Then, release the toggle latch from the bottom of the front cover assembly to gain access to the internal components.



2. Remove the four screws from the vent collar, the two screws from the vent installation detector, and the four screws from the upper bracket.



3. Place the packing for preventing water flow on the air intake to prevent water from entering the vent, and then install the upper bracket by fastening the four screws.

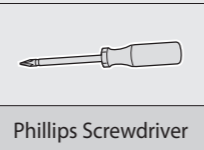


1 3
2 4

WARNING

This product can expose you to chemicals including lead, lead compounds, and carbon bisulfide which are known to the State of California to cause cancer and birth defects or other reproductive harm. For more information, go to www.P65Warnings.ca.gov.

Required Tool

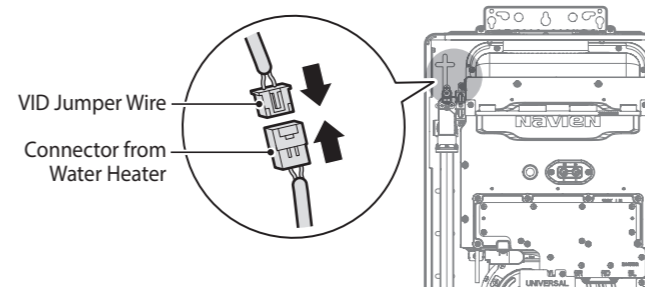


Included Items

WARNING

- The outdoor vent cover gets hot during operation. Install the heater in a location where the top of the vent cover kit cannot be reached by children and pets.
- Exhaust gas will be released through the outdoor vent cover kit. Exhaust gas is hot and contains carbon monoxide. The outdoor vent cover kit cannot be installed on a water heater mounted indoors. To prevent risk of fire and carbon monoxide poisoning, observe all clearances required in this manual.
- Do not place or store any combustible material within 5 feet of the appliance. Maintain specified clearance to combustibles on the wall where the appliance is installed and any adjacent walls or overhang. Observe all clearances required in this manual.
- The water in this appliance is cold and always remains cold except for the times when the burner is on. To prevent any damages from freezing, always drain the water heater.
- Damage to the water heater from freezing is not covered under the manufacturer's warranty.

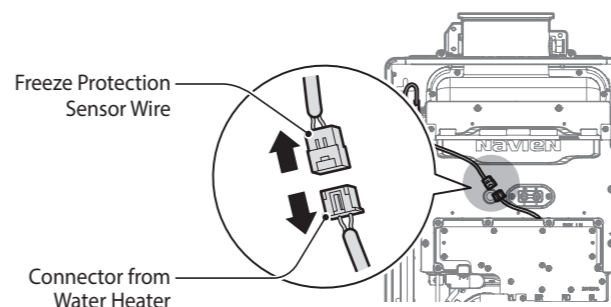
4. Remove the connector from the water heater from the wire of the Vent Installation Detector (VID), and then connect the provided VID jumper wire to the connector from the water heater.



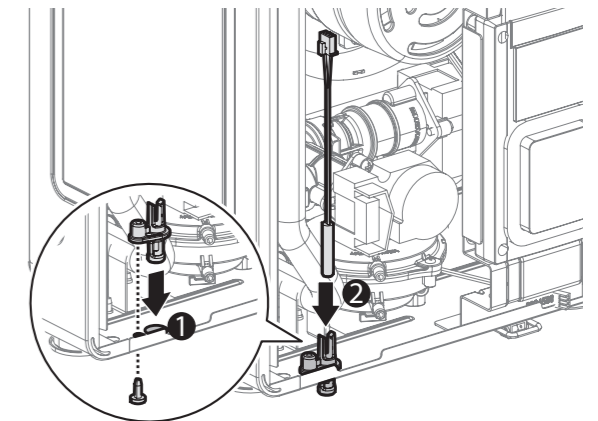
CAUTION

If the VID jumper wire is not connected to the VID wiring properly, an error code E762 occurs and the product will not operate.

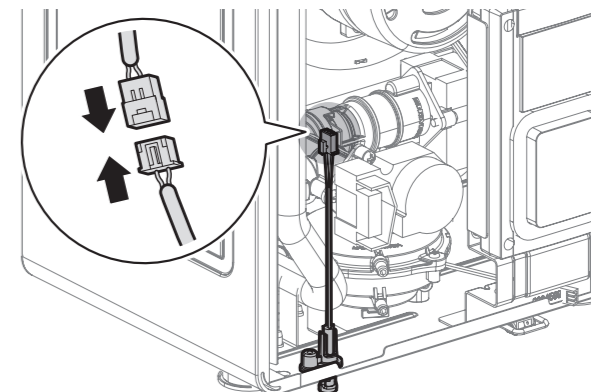
5. Remove the connector from the water heater to the freeze protection sensor that is attached to the heat exchanger.



6. Install the housing bracket for the freeze protection sensor onto the provided hole located near the bottom left portion of the water heater, and then install a new freeze protection sensor on the bracket.



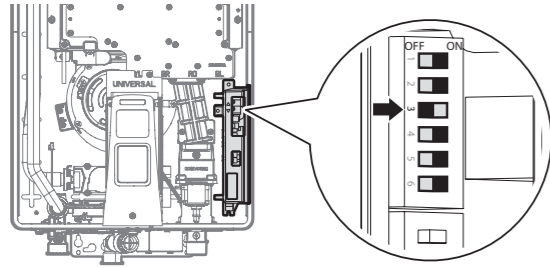
7. Reattach the connector from the water heater to the freeze protection sensor with housing bracket.



CAUTION

If the freeze protection sensor is not installed on the bracket, the freeze prevention system in the water heater will not operate and may result in the water heater freezing.

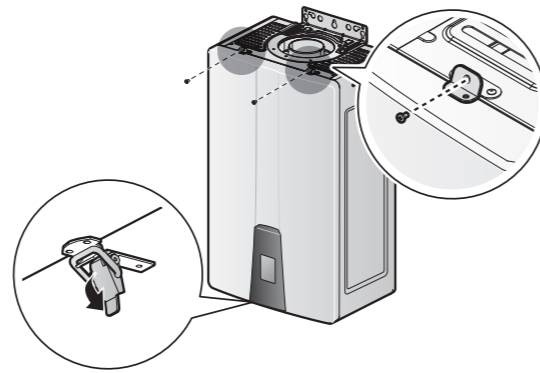
8. Set Dip Switch 1-3 (located in the controller) to 'ON'.



WARNING

If the Dip switch is not set properly, the freeze prevention system in the water heater will not operate and may result in the water heater freezing in cold weather.

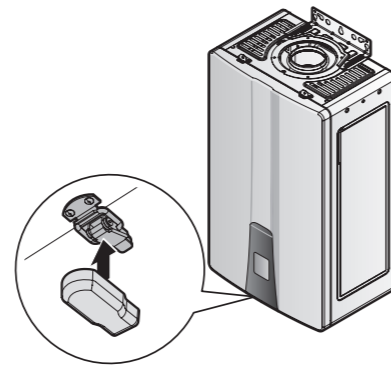
9. Attach the front cover to the water heater by fastening the two upper screws using a Phillips head screwdriver. Then, lock the toggle latch on the bottom of the front cover.



DANGER

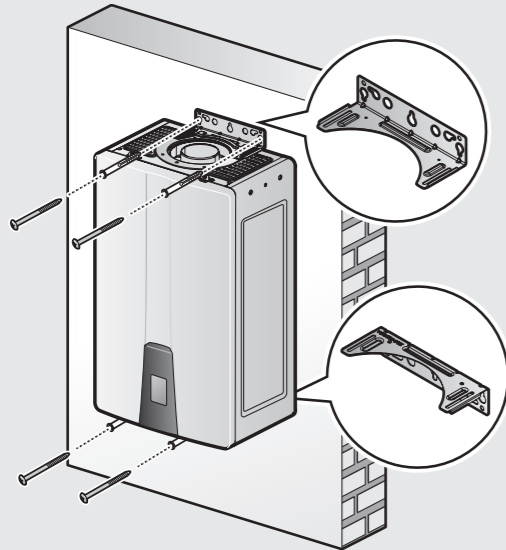
Make sure the front cover of the water heater is securely reattached to prevent any damage to the water heater.

10. After completely installing the water heater, cover the indicated clamp (at the bottom of the water heater) with the front cover cap provided with the water heater.



11. Securely attach the water heater to the wall by affixing the brackets at the top and bottom of the water heater.

Note The vent collar must be removed prior to mounting the water heater on the wall.

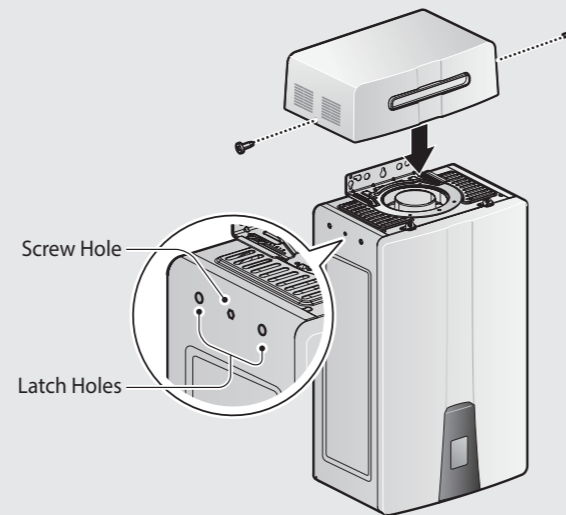


When mounted with the mounting bracket, the water heater will have a 5/8" (16mm) clearance from the back of the wall.

CAUTION

Do not mount the water heater to dry wall that has not been reinforced.

12. Fully insert the outdoor vent cover into the top of the water heater and then fasten the two screws on both sides of the outdoor vent cover.



WARNING

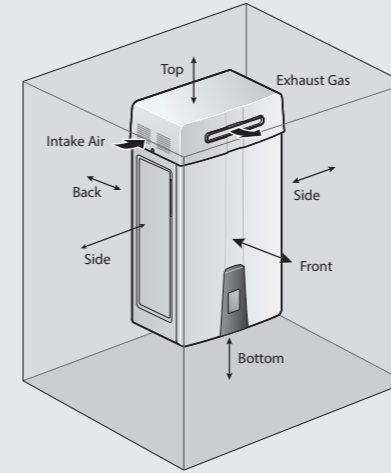
Before installing the outdoor vent cover on the water heater, ensure that the gasket at the vent collar is properly placed. If the gasket is properly placed, water may flow in to the water heater which could cause potential damage.

Choosing an Installation Location

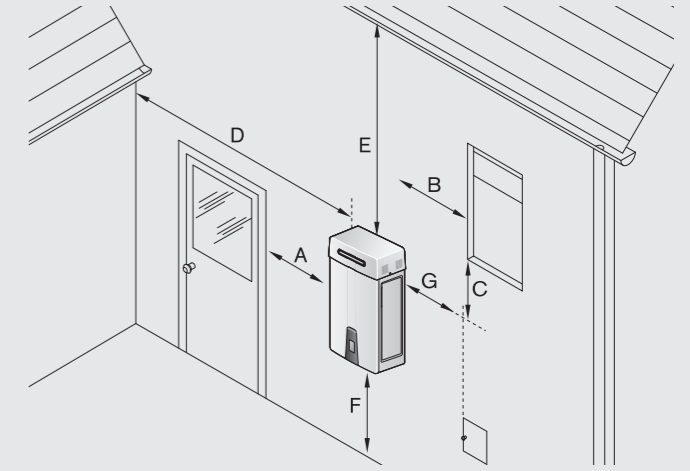
When choosing an installation location, you must ensure that the location provides adequate clearance for the water heater, adequate venting and drainage options, and sufficient access to gas, water, and electrical supplies. Before proceeding, read the water heater installation manual.

- Choose an outside wall for the installation. Installation on a wall protected by an overhang above is recommended.
- Size the water and gas connections according to the instructions in the water heater installation manual. Use unions when connecting both water lines and the gas supply line to the heater.

Install the water heater in an area that allows for service and maintenance access to utility connections, piping, filters, and traps. Based on the installation location, allow for the following minimum clearances from the water heater:



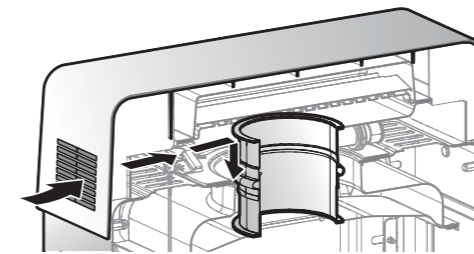
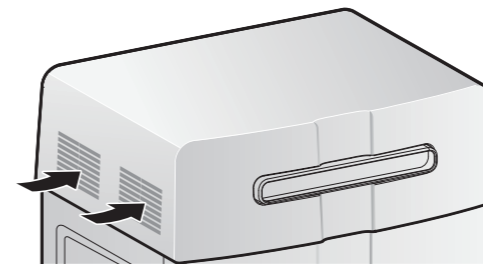
References	Minimum distances
Bottom	12"
Back	0.5"
Sides	3"
Front	24"
Top	36"



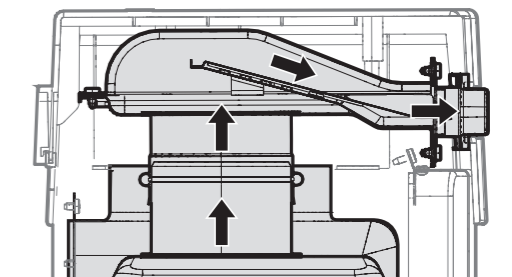
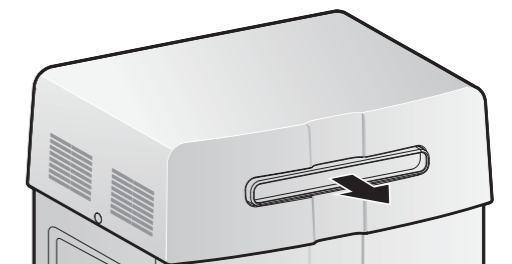
References	Descriptions	Minimum distances
A	Directly below or adjacent to an opening; operable windows, doors and any fresh air openings	48" (USA)
B		
C		
D	From any adjacent wall	12"
E	Below a gutter, sanitary pipework, eaves or overhang	36"
F	Above ground	12"
G	From a gas meter or gas regulator	36"

5 7
6 8

Ventilation Flow



Intake Air Flow



Exhaust Gas Flow

NAVIENT

Navien, Inc.
20 Goodyear Irvine, CA 92618
TEL 1-800-519-8794 FAX 949-420-0430
www.NavienInc.com