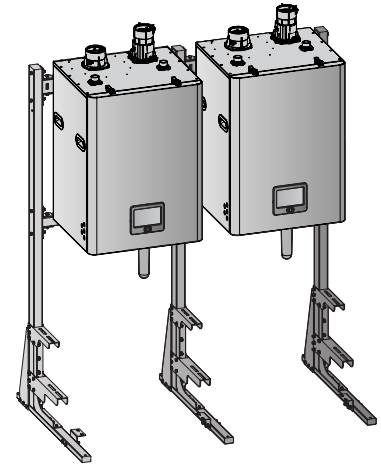


- Navien Ready-Link® Commercial Rack system can be used to mount a single or multiple commercial boiler units that are connected to a cascade system
- This accessory is compatible with the following Navien models:
NFB-301C and NFB-399C Fire Tube Boiler
** Commercial rack systems with NFB-C Series models are rated for INDOOR only.*
- Warranty 1 Year
- Recommended for systems that are located in tight spacing or in areas without enough available wall spacing.
- Designed to hold commercial boiler units as well as common water and gas piping
- In-line setup only, up to 10 extension kits can be assembled to the rack
- Weight: 116.5 lbs (53.0 kg) per BASE Kit, 70.0 lbs (32 kg) per ADD-ON Kit
- Navien Part Number(s): GFFM-KDIZUS-007 (BASE for single)
GFFM-KDIZUS-008 (ADD-ON extension kit for 2+ units in-line)



Included Items

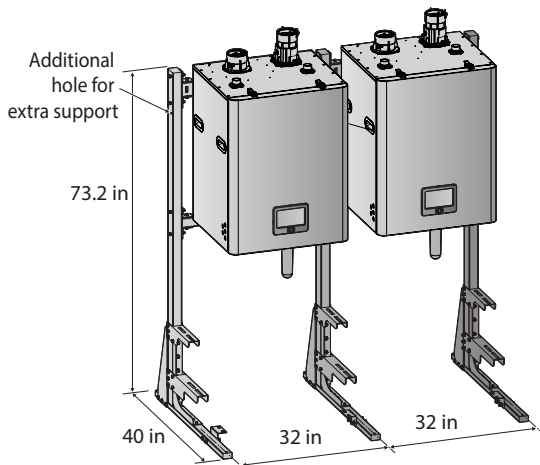
Installation Guide 1 EA	Post bar (2x3x72 in) * Single kit: 2 EA ** Extension kit: 1 EA	Upper fixed bar (2x3x28 in) * Single kit: 1 EA ** Extension kit: 1 EA	Middle fixed bar (2x2x28 in) * Single kit: 1 EA ** Extension kit: 1 EA	Base frame (40 in) * Single kit: 2 EA ** Extension kit: 1 EA	Fixed bracket * Single kit: 8 EA ** Extension kit: 8 EA	Lower fixed bracket (front) * Single kit: 2 EA ** Extension kit: 1 EA	Lower fixed bracket (back) * Single kit: 2 EA ** Extension kit: 1 EA	
Pipe support bracket (heating supply) * Single kit: 2 EA ** Extension kit: 1 EA	Pipe support bracket (heating return) * Single kit: 2 EA ** Extension kit: 1 EA	Pipe support bracket (gas) * Single kit: 2 EA ** Extension kit: 1 EA	Tapping screw 5x15 (washers set, stainless steel)† * Single kit: 18 EA ** Extension kit: 12 EA	M10 bolt (1 in, stainless steel) * Single kit: 6 EA ** Extension kit: 3 EA	M10 bolt (3 in, stainless steel) * Single kit: 35 EA ** Extension kit: 20 EA	M10 bolt (4 in, stainless steel) * Single kit: 12 EA ** Extension kit: 7 EA	M8 bolt (2.8 in, stainless steel) * Single kit: 4 EA ** Extension kit: 4 EA	5/32 in or 4 mm Allen wrench 1 EA

† Spare tapping screws are provided in the product package for your convenience.
* A single frame or extension rack can be used to mount one boiler using the in-line setup.
** Up to 9 extension kits (up to 10 units) can be assembled to the rack.

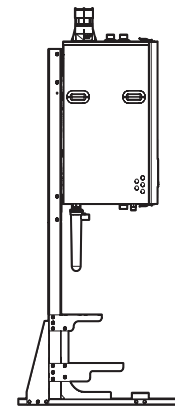
Note Although the floor mounting hardware is not included with this kit, you must fix the Ready-Link Commercial Rack System securely to the floor to complete installation. Use appropriate anchor bolts (3/8 in) to fix the frame to the ground.

Dimensions

The following diagram shows the dimensions of the frame.
Install the frame in an area that allows for service and maintenance access to utility connections, piping, filters, and traps.



The boiler unit can be mounted using the in-line setup.



In-line Setup

Note

Depending on the number of the boiler units, assemble the extension kits to the rack to add more installation space. Up to 9 extensions kits (up to 10 units) can be assembled to the rack.

*Navien reserves the right to change specification at any time without prior notice