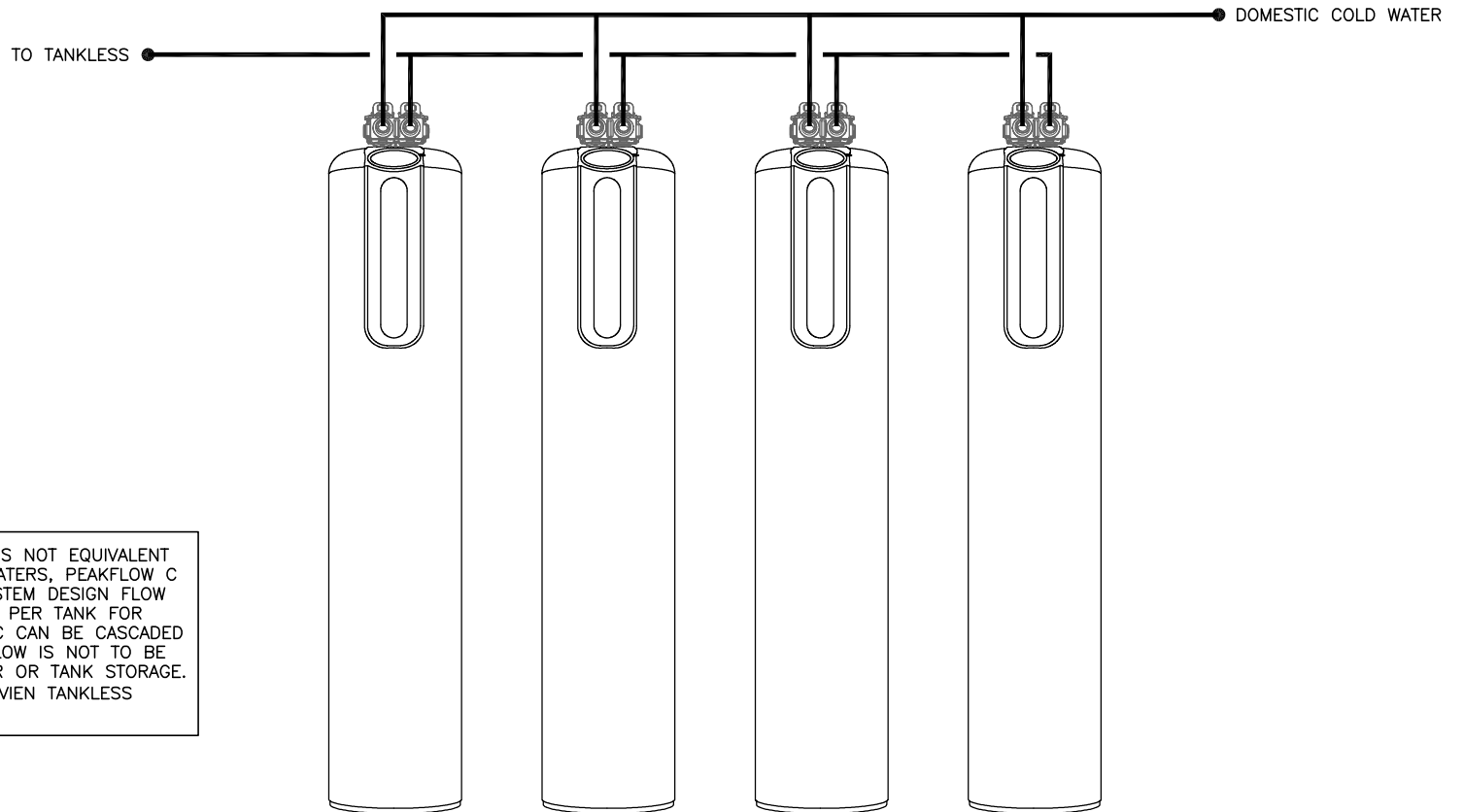
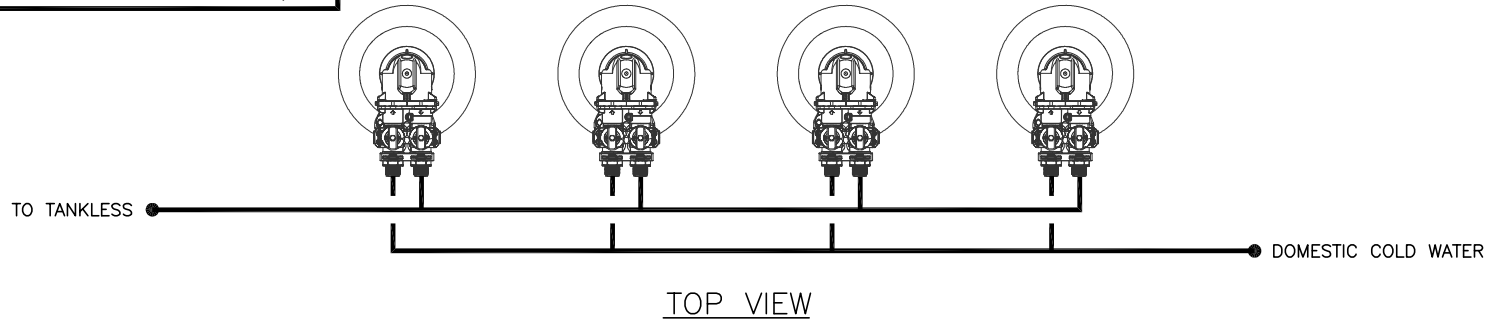


THIS DRAWING IS INTENDED ONLY AS A GUIDE AND NOT AS A REPLACEMENT FOR PROFESSIONALLY ENGINEERED PROJECT DRAWINGS. THIS CONCEPT SYSTEM DRAWING DOES NOT IMPLY COMPLIANCE WITH LOCAL BUILDING CODES. ACTUAL INSTALLATION MAY VARY DEPENDING ON INSTALLATION LOCATION AND PARAMETERS AND IT MUST BE DONE IN ACCORDANCE TO ALL LOCAL BUILDING CODES. VERIFY WITH LOCAL BUILDINGS OFFICIALS BEFORE COMMENCEMENT OF SYSTEM INSTALLATION. CHANGES OR MODIFICATIONS TO PIPING OR DESIGN IS NOT TO BE PERFORMED WITHOUT EXPRESSED WRITTEN PERMISSION BY NAVIEN, INC.



NUMBER OF PEAKFLOW C REQUIRED IS NOT EQUIVALENT TO NUMBER OF TANKLESS WATER HEATERS, PEAKFLOW C SIZING IS BASED ON FLOW RATE. SYSTEM DESIGN FLOW RATE IS 16 GPM PER TANK, 20 GPM PER TANK FOR INTERMITTENT USE ONLY. PEAKFLOW C CAN BE CASCADED UP TO 6 UNITS IN PARALLEL. PEAKFLOW IS NOT TO BE USED WITH TANK TYPE WATER HEATER OR TANK STORAGE. (REFER TO SIZING GUIDELINE FOR NAVIEN TANKLESS WATER HEATER ON NAVIENINC.COM)

(4) PEAKFLOW C – COMMERCIAL SCALE PREVENTION SYSTEM – INLINE

• INTEGRAL BYPASS INCLUDED WITH EACH PEAKFLOW C • PEAKFLOW C INLET/OUTLET: 1" WITH ADAPTER 1" TO 1-1/4" • WATER TEMPERATURE REQUIREMENTS: 40°F TO 100°F • WATER PRESSURE REQUIREMENTS: 15 PSI TO 90 PSI

TOTAL MAXIMUM SERVICE FLOW RATE THROUGH SYSTEM: 64 GPM OR 240 L/M



20 GOODYEAR
IRVINE, CA 92618
800-519-8794
www.navieninc.com

DRAWN BY: S. STOEKE

PEAKC-4I

SEPTEMBER 14, 2022