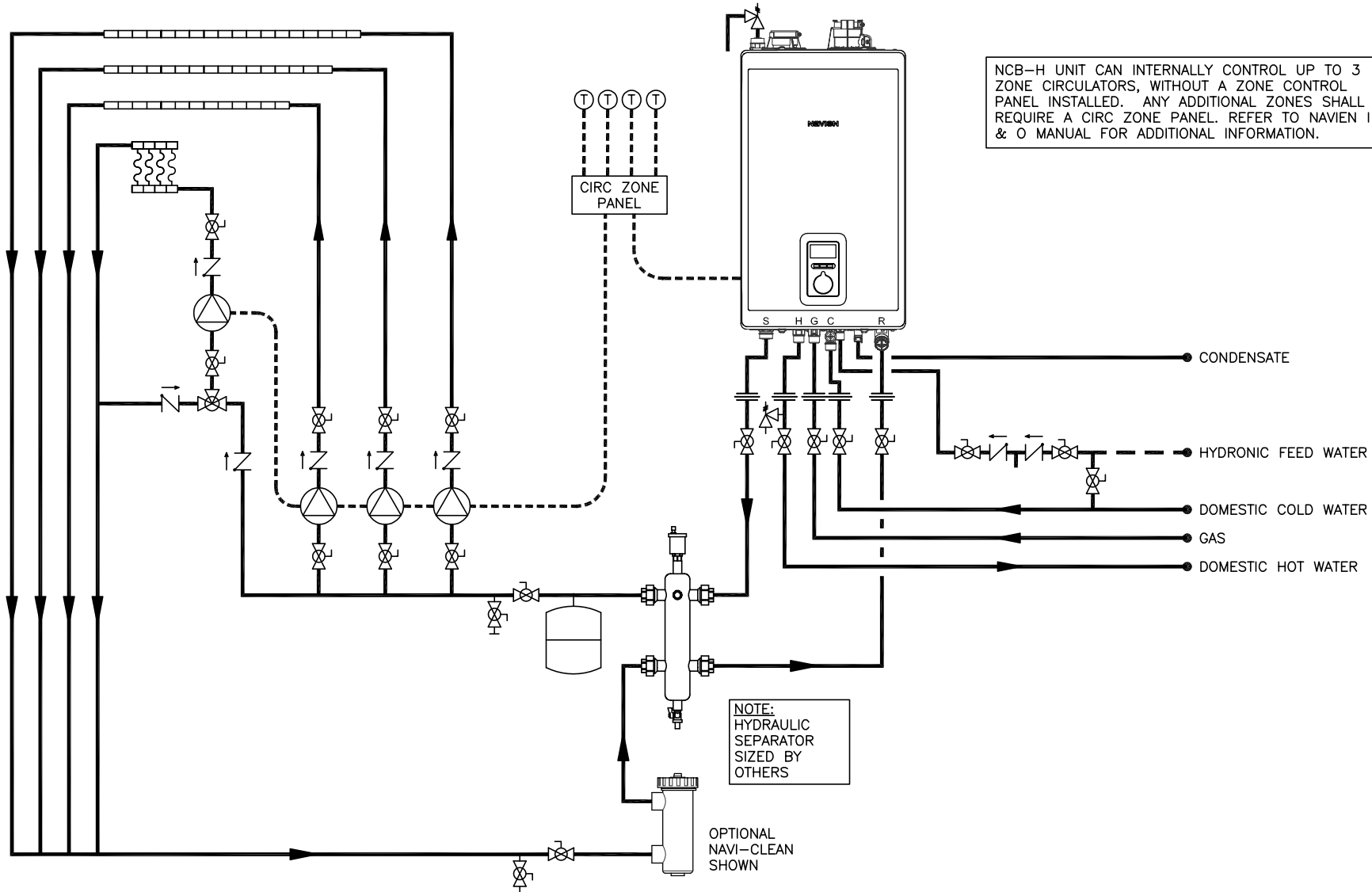


THIS DRAWING IS INTENDED ONLY AS A GUIDE AND NOT AS A REPLACEMENT FOR PROFESSIONALLY ENGINEERED PROJECT DRAWINGS. THIS CONCEPT SYSTEM DRAWING DOES NOT IMPLY COMPLIANCE WITH LOCAL BUILDING CODES. ACTUAL INSTALLATION MAY VARY DEPENDING ON INSTALLATION LOCATION AND PARAMETERS AND IT MUST BE DONE IN ACCORDANCE TO ALL LOCAL BUILDING CODES. VERIFY WITH LOCAL BUILDINGS OFFICIALS BEFORE COMMENCEMENT OF SYSTEM INSTALLATION. CHANGES OR MODIFICATIONS TO PIPING OR DESIGN IS NOT TO BE PERFORMED WITHOUT EXPRESSED WRITTEN PERMISSION BY NAVIEN, INC.



SYMBOL LEGEND			
	BACKFLOW PREVENTER		CHECK VALVE
	FULL-PORT VALVE		EXPANSION TANK
	CONTROL WIRING		PRESSURE RELIEF VALVE
	CIRCULATOR		THERMOSTAT
	LOW TEMP RADIANT TUBE WITH MANIFOLDS		AIR ELIMINATION
	UNION		HYDRAULIC SEPARATOR
	COPPER BASEBOARD FIN TUBE		BALL DRAIN VALVE
	DIRT SEPARATOR		NAVICLEAN FILTER

Navien
 20 GOODYEAR
 IRVINE, CA 92618
 800-519-8794
 www.navieninc.com

NCB-H SERIES COMBI-BOILER

(1) NCB-H COMBI-BOILER WITH MULTIPLE ZONE CIRCULATORS
 LOW TEMPERATURE ZONE SHOWN WITH HYDRAULIC SEPARATOR
 INCLUDES MODELS NCB-190/060H, 190/080H, 240/110H, 240/130H, 250/150H

DRAWN BY: S. STOKE

NCB-H-1-4ZP-1LT-HS

MAY 16, 2022