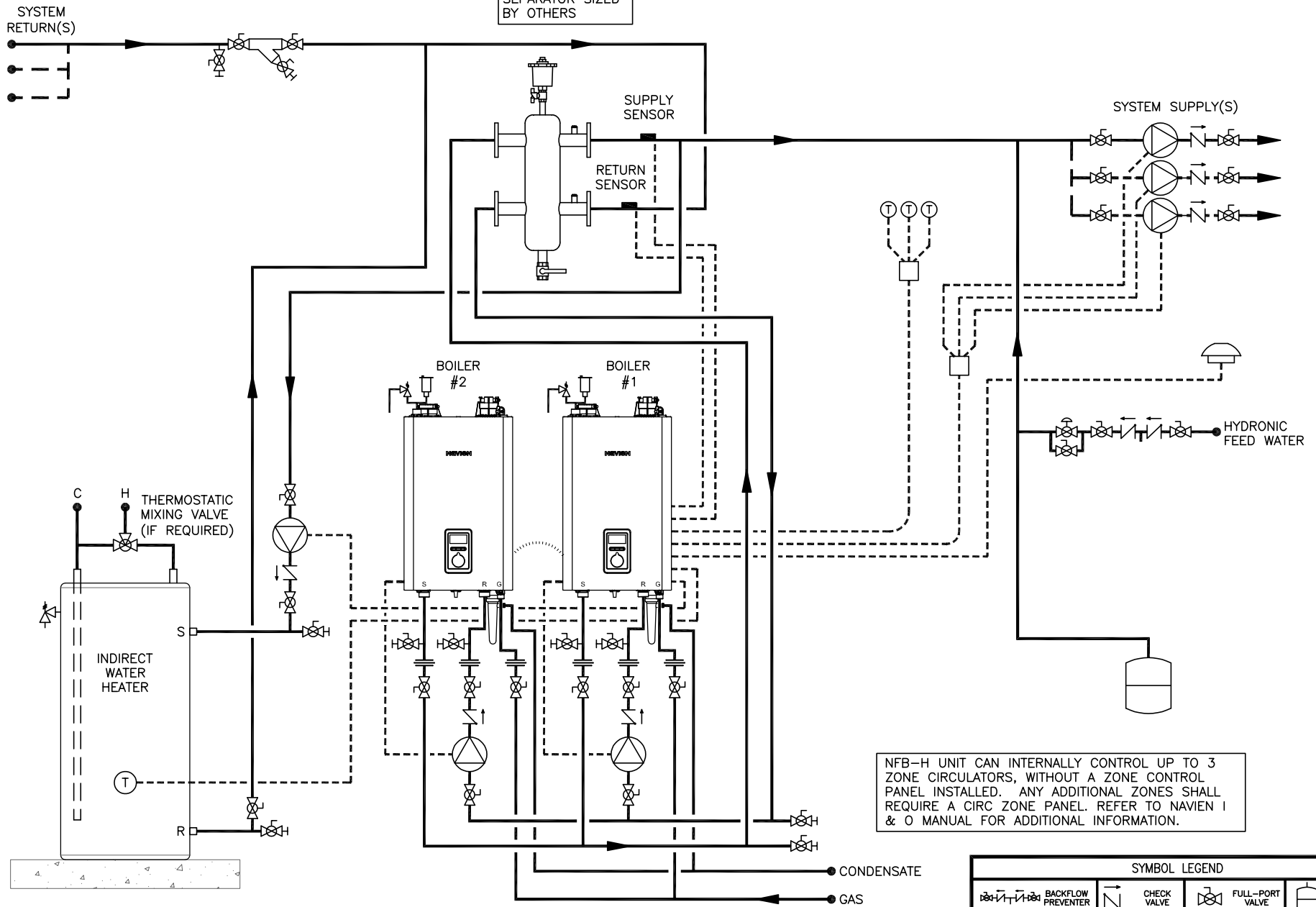


THIS DRAWING IS INTENDED ONLY AS A GUIDE AND NOT AS A REPLACEMENT FOR PROFESSIONALLY ENGINEERED PROJECT DRAWINGS. THIS CONCEPT SYSTEM DRAWING DOES NOT IMPLY COMPLIANCE WITH LOCAL BUILDING CODES. ACTUAL INSTALLATION MAY VARY DEPENDING ON INSTALLATION LOCATION AND PARAMETERS AND IT MUST BE DONE IN ACCORDANCE TO ALL LOCAL BUILDING CODES. VERIFY WITH LOCAL BUILDINGS OFFICIALS BEFORE COMMENCEMENT OF SYSTEM INSTALLATION. CHANGES OR MODIFICATIONS TO PIPING OR DESIGN IS NOT TO BE PERFORMED WITHOUT EXPRESSED WRITTEN PERMISSION BY NAVIEN, INC.

NOTE:
HYDRAULIC
SEPARATOR SIZED
BY OTHERS



20 GOODYEAR
IRVINE, CA 92618
800-519-8794
www.navieninc.com

NFB-H SERIES BOILER

(2) NFB-H BOILERS WITH INDIRECT WATER HEATER
COMMON SECONDARY INJECTION PIPING WITH HYDRAULIC SEPARATOR
INCLUDES MODELS NFB-175H, 200H

DRAWN BY:

S. STOEKE

NFB-H-2-ZP-MULT-IDWH-C-HS

MAY 23, 2022

SYMBOL LEGEND			
	BACKFLOW PREVENTER		CHECK VALVE
	FULL-PORT VALVE		EXPANSION TANK
	CONTROL WIRING		CIRCULATOR
	THERMOSTAT		UNION
	CONDENSATE TRAP		BALL DRAIN VALVE
	OUTDOOR TEMPERATURE SENSOR		PRESSURE REDUCING VALVE
	WYE STRAINER W/ BLOWDOWN		HYDRAULIC SEPARATOR
	BACKFLOW PREVENTER		CHECK VALVE
	PRESSURE RELIEF VALVE		AIR ELIMINATION
	AUTOMATIC AIR VENT		CASCADE CABLE
	FULL-PORT VALVE		MIXING VALVE
	EXPANSION TANK		THERMOSTAT