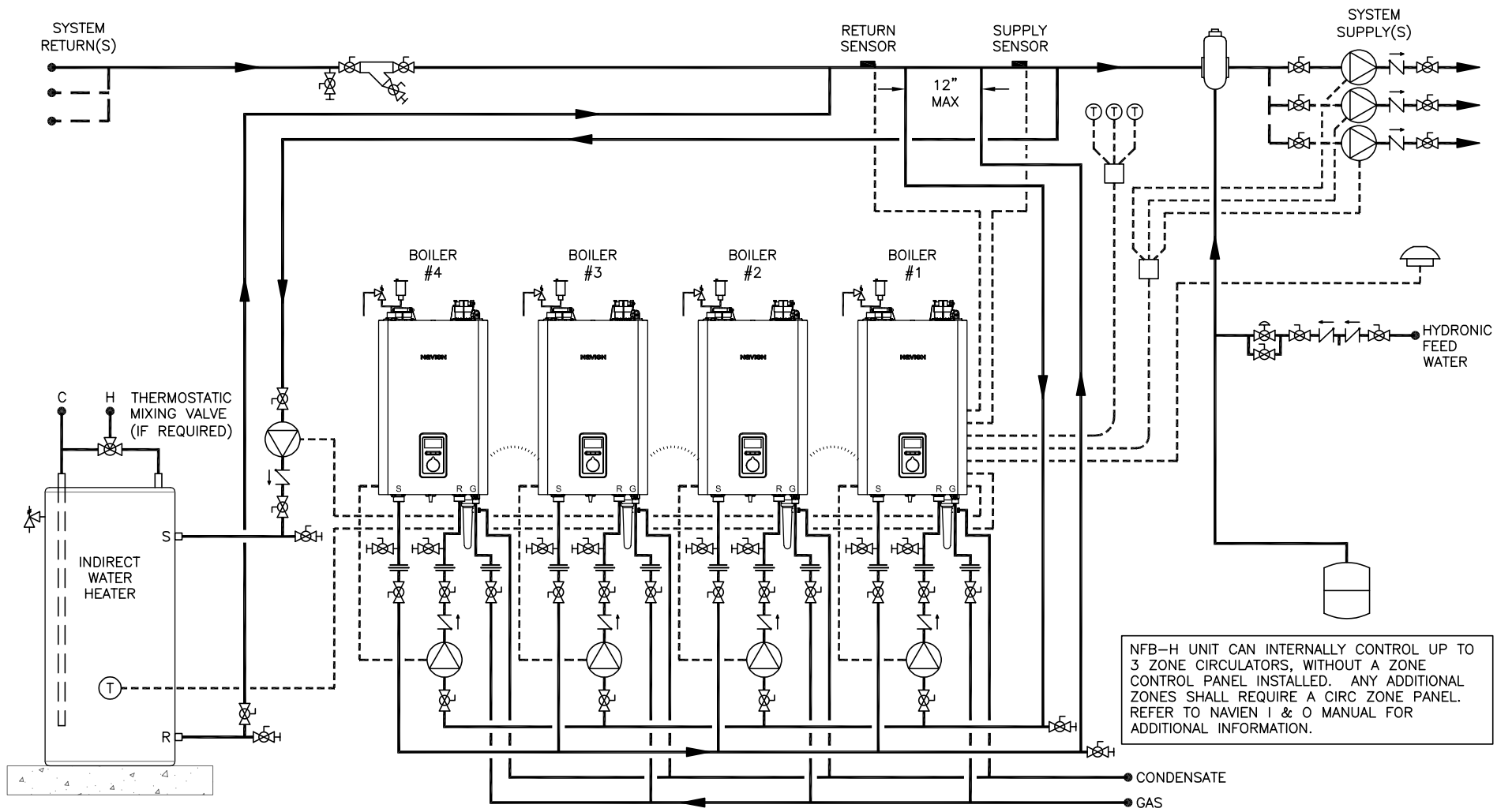


THIS DRAWING IS INTENDED ONLY AS A GUIDE AND NOT AS A REPLACEMENT FOR PROFESSIONALLY ENGINEERED PROJECT DRAWINGS. THIS CONCEPT SYSTEM DRAWING DOES NOT IMPLY COMPLIANCE WITH LOCAL BUILDING CODES. ACTUAL INSTALLATION MAY VARY DEPENDING ON INSTALLATION LOCATION AND PARAMETERS AND IT MUST BE DONE IN ACCORDANCE TO ALL LOCAL BUILDING CODES. VERIFY WITH LOCAL BUILDINGS OFFICIALS BEFORE COMMENCEMENT OF SYSTEM INSTALLATION. CHANGES OR MODIFICATIONS TO PIPING OR DESIGN IS NOT TO BE PERFORMED WITHOUT EXPRESSED WRITTEN PERMISSION BY NAVIEN, INC.



NFB-H UNIT CAN INTERNALLY CONTROL UP TO 3 ZONE CIRCULATORS, WITHOUT A ZONE CONTROL PANEL INSTALLED. ANY ADDITIONAL ZONES SHALL REQUIRE A CIRC ZONE PANEL. REFER TO NAVIEN I & O MANUAL FOR ADDITIONAL INFORMATION.

| SYMBOL LEGEND              |                       |                 |                         |
|----------------------------|-----------------------|-----------------|-------------------------|
| BACKFLOW PREVENTER         | CHECK VALVE           | FULL-PORT VALVE | EXPANSION TANK          |
| CONTROL WIRING             | PRESSURE RELIEF VALVE | CIRCULATOR      | THERMOSTAT              |
| CONDENSATE TRAP            | AIR ELIMINATION       | UNION           | BALL DRAIN VALVE        |
| OUTDOOR TEMPERATURE SENSOR | AUTOMATIC AIR VENT    | MIXING VALVE    | PRESSURE REDUCING VALVE |
| WYE STRAINER W/ BLOWDOWN   | CASCADE CABLE         |                 |                         |



20 GOODYEAR  
IRVINE, CA 92618  
800-519-8794  
www.navienc.com

NFB-H SERIES BOILER

(4) NFB-H BOILERS WITH INDIRECT WATER HEATER  
COMMON SECONDARY INJECTION PIPING  
INCLUDES MODELS NFB-175H, 200H

DRAWN BY: S. STOIKE

NFB-H-4-ZP-MULT-IDWH-C

MAY 24, 2022