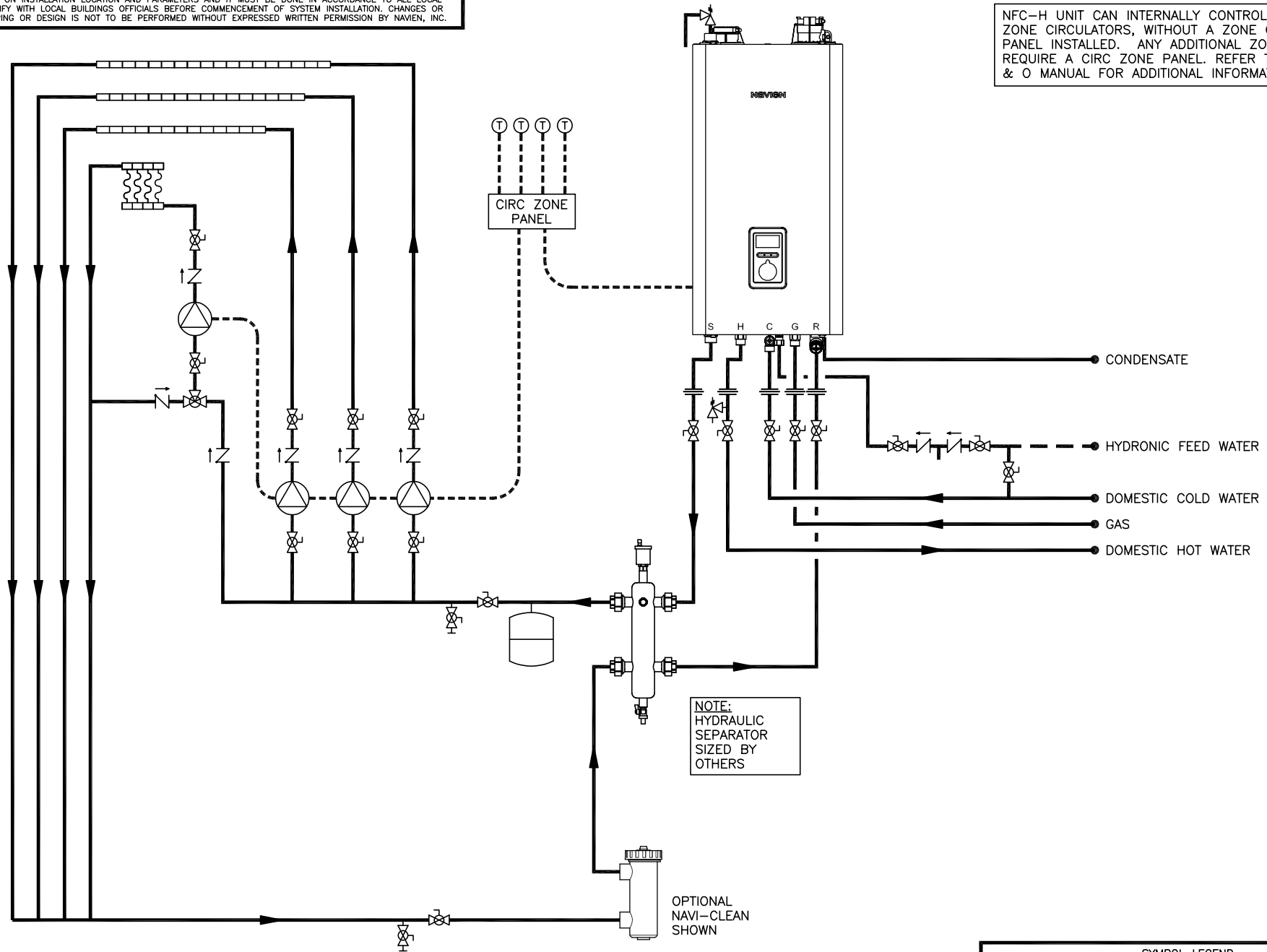


THIS DRAWING IS INTENDED ONLY AS A GUIDE AND NOT AS A REPLACEMENT FOR PROFESSIONALLY ENGINEERED PROJECT DRAWINGS. THIS CONCEPT SYSTEM DRAWING DOES NOT IMPLY COMPLIANCE WITH LOCAL BUILDING CODES. ACTUAL INSTALLATION MAY VARY DEPENDING ON INSTALLATION LOCATION AND PARAMETERS AND IT MUST BE DONE IN ACCORDANCE TO ALL LOCAL BUILDING CODES. VERIFY WITH LOCAL BUILDINGS OFFICIALS BEFORE COMMENCEMENT OF SYSTEM INSTALLATION. CHANGES OR MODIFICATIONS TO PIPING OR DESIGN IS NOT TO BE PERFORMED WITHOUT EXPRESSED WRITTEN PERMISSION BY NAVIEN, INC.

NFC-H UNIT CAN INTERNALLY CONTROL UP TO 3 ZONE CIRCULATORS, WITHOUT A ZONE CONTROL PANEL INSTALLED. ANY ADDITIONAL ZONES SHALL REQUIRE A CIRC ZONE PANEL. REFER TO NAVIEN I & O MANUAL FOR ADDITIONAL INFORMATION.



NOTE:
HYDRAULIC
SEPARATOR
SIZED BY
OTHERS

OPTIONAL
NAVI-CLEAN
SHOWN

SYMBOL LEGEND			
	BACKFLOW PREVENTER		CHECK VALVE
	FULL-PORT VALVE		EXPANSION TANK
	CONTROL WIRING		PRESSURE RELIEF VALVE
	LOW TEMP RADIANT TUBE WITH MANIFOLDS		AIR ELIMINATION
	COPPER BASEBOARD FIN TUBE		BALL DRAIN VALVE
	UNION		NAVICLEAN FILTER
	THERMOSTAT		HYDRAULIC SEPARATOR
	DIRT SEPARATOR		



20 GOODYEAR
IRVINE, CA 92618
800-519-8794
www.navienc.com

NFC-H SERIES COMBI-BOILER

(1) NFC-H COMBI-BOILER WITH MULTIPLE ZONE CIRCULATORS
LOW TEMPERATURE ZONE SHOWN WITH HYDRAULIC SEPARATOR
INCLUDES MODELS NFC-250/175H, NFC-250/200H

DRAWN BY: S. STOEKE

NFC-H-1-4ZP-1LT-HS

MAY 25, 2022