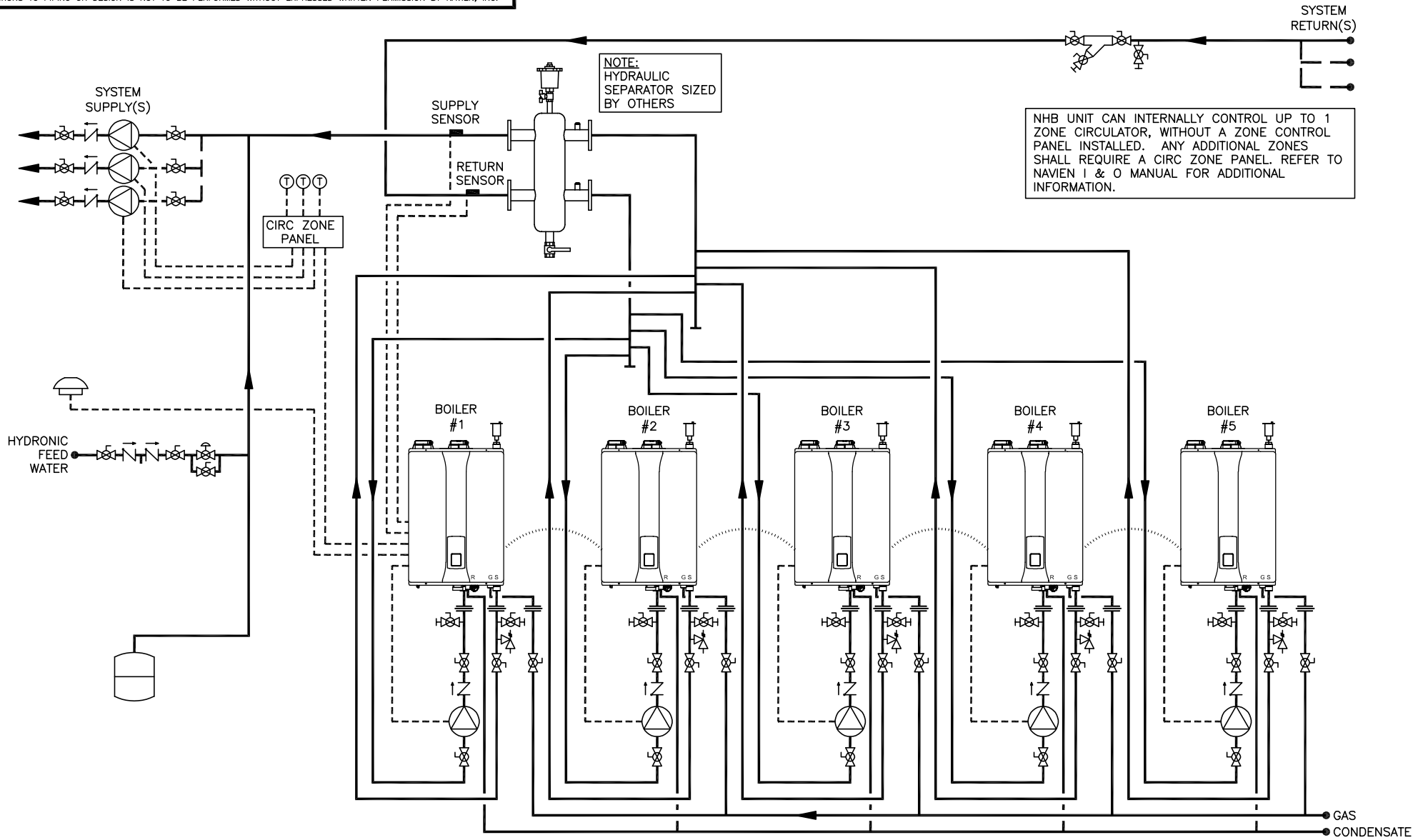


THIS DRAWING IS INTENDED ONLY AS A GUIDE AND NOT AS A REPLACEMENT FOR PROFESSIONALLY ENGINEERED PROJECT DRAWINGS. THIS CONCEPT SYSTEM DRAWING DOES NOT IMPLY COMPLIANCE WITH LOCAL BUILDING CODES. ACTUAL INSTALLATION MAY VARY DEPENDING ON INSTALLATION LOCATION AND PARAMETERS AND IT MUST BE DONE IN ACCORDANCE TO ALL LOCAL BUILDING CODES. VERIFY WITH LOCAL BUILDINGS OFFICIALS BEFORE COMMENCEMENT OF SYSTEM INSTALLATION. CHANGES OR MODIFICATIONS TO PIPING OR DESIGN IS NOT TO BE PERFORMED WITHOUT EXPRESSED WRITTEN PERMISSION BY NAVIEN, INC.



SYMBOL LEGEND			
	BACKFLOW PREVENTER		CHECK VALVE
	FULL-PORT VALVE		EXPANSION TANK
	CONTROL WIRING		PRESSURE RELIEF VALVE
	OUTDOOR TEMPERATURE SENSOR		CIRCULATOR
	WYE STRAINER W/ BLOWDOWN		AIR ELIMINATION
	AUTOMATIC AIR VENT		UNION
	BALL DRAIN VALVE		CASCADE CABLE
	PRESSURE REDUCING VALVE		THERMOSTAT
	HYDRAULIC SEPARATOR		



20 GOODYEAR  
IRVINE, CA 92618  
800-519-8794  
www.navienc.com

NHB SERIES BOILER

(5) NHB BOILERS WITH  
INDIVIDUAL SECONDARY INJECTION PIPING WITH HYDRAULIC SEPARATOR  
INCLUDES MODELS NHB-55,80,110,150

DRAWN BY: S. STOIKE

NHB-5-ZP-MULT-I-HS

JULY 12, 2022