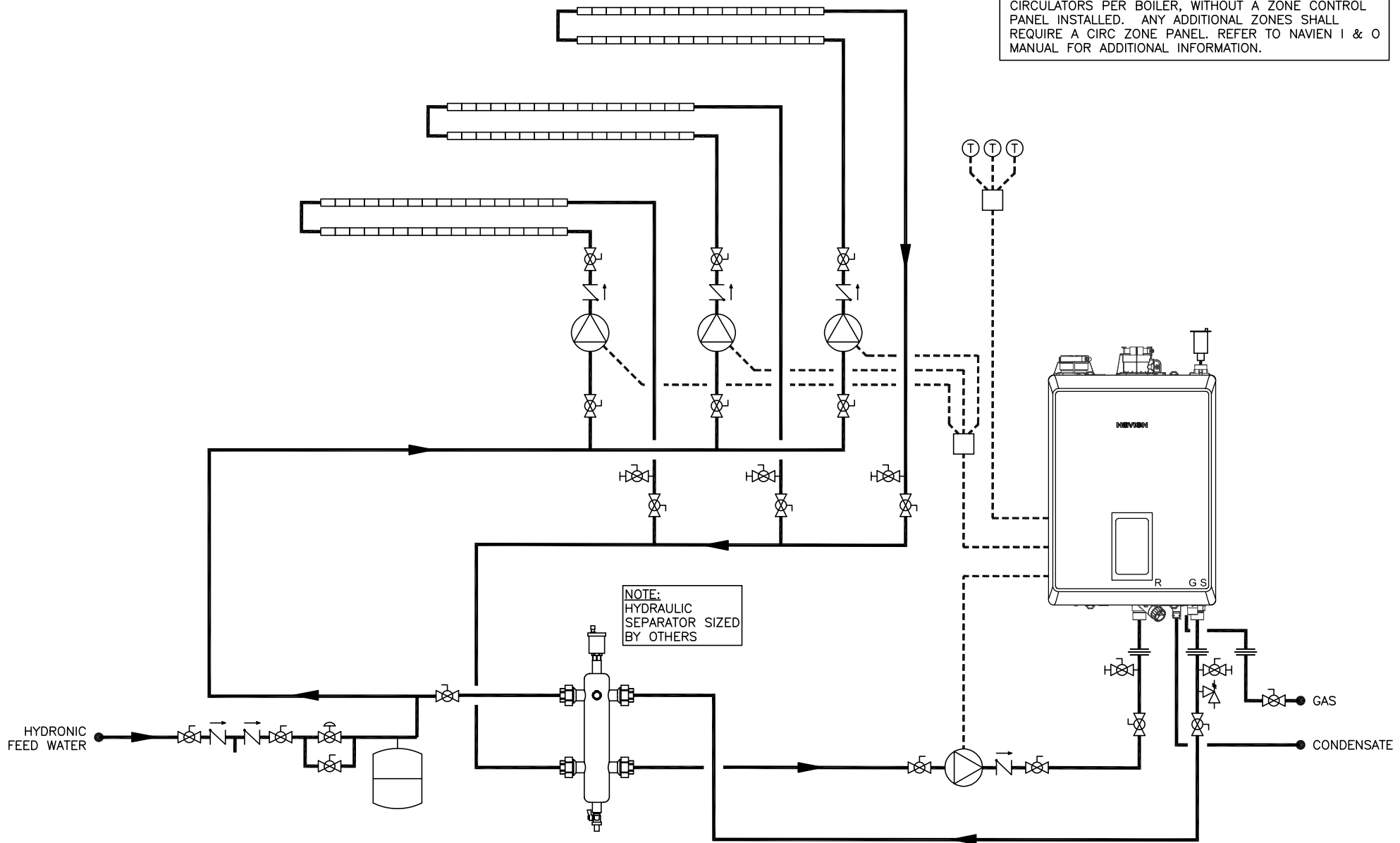


THIS DRAWING IS INTENDED ONLY AS A GUIDE AND NOT AS A REPLACEMENT FOR PROFESSIONALLY ENGINEERED PROJECT DRAWINGS. THIS CONCEPT SYSTEM DRAWING DOES NOT IMPLY COMPLIANCE WITH LOCAL BUILDING CODES. ACTUAL INSTALLATION MAY VARY DEPENDING ON INSTALLATION LOCATION AND PARAMETERS AND IT MUST BE DONE IN ACCORDANCE TO ALL LOCAL BUILDING CODES. VERIFY WITH LOCAL BUILDINGS OFFICIALS BEFORE COMMENCEMENT OF SYSTEM INSTALLATION. CHANGES OR MODIFICATIONS TO PIPING OR DESIGN IS NOT TO BE PERFORMED WITHOUT EXPRESSED WRITTEN PERMISSION BY NAVIEN, INC.

NHB-H UNIT CAN INTERNALLY CONTROL UP TO 3 ZONE CIRCULATORS PER BOILER, WITHOUT A ZONE CONTROL PANEL INSTALLED. ANY ADDITIONAL ZONES SHALL REQUIRE A CIRC ZONE PANEL. REFER TO NAVIEN I & O MANUAL FOR ADDITIONAL INFORMATION.



NOTE:  
HYDRAULIC SEPARATOR SIZED BY OTHERS

SYMBOL LEGEND			
	BACKFLOW PREVENTER		CHECK VALVE
	FULL-PORT VALVE		EXPANSION TANK
	CONTROL WIRING		PRESSURE RELIEF VALVE
	COPPER BASEBOARD FIN TUBE		CIRCULATOR
	THERMOSTAT		AIR ELIMINATION
	HYDRAULIC SEPARATOR		UNION
	AUTOMATIC AIR VENT		BALL DRAIN VALVE



20 GOODYEAR  
IRVINE, CA 92618  
800-519-8794  
www.navienc.com

NHB-H SERIES BOILER

(1) NHB-H BOILER WITH MULTIPLE ZONE CIRCULATORS  
WITH HYDRAULIC SEPARATOR  
INCLUDES MODELS NHB-55H, 80H, 110H, 150H

DRAWN BY:

S. STOEKE

NHB-H-1-3ZP-HS

NOVEMBER 27, 2023