

NHW-S Series



NEW NHW-S Tankless Water Heaters

Premium non-condensing tankless technology built around our patented NaviTech™ stainless steel burner and heat exchanger



Introducing the NHW-SU and NHW-SE

NAVITECH™
STAINLESS STEEL
HX AND BURNER

**PREMIUM
INTEGRATED
CONTROLS**

0.81 UEF

98°-140°
TEMP RANGE

9.5 GPM
@ 35° TEMP RISE

**RESIDENTIAL &
COMMERCIAL**

**CASCADE
CAPABLE**

**OPTIONAL
NaviLink™
WI-FI CONTROL**



NHW-SU (Universal)
indoor use



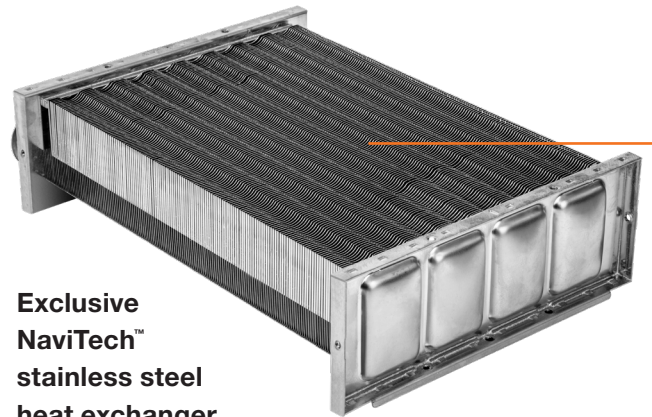
NHW-SU (Universal)
with vent cap for outdoor use



NHW-SE (Exterior)
outdoor only

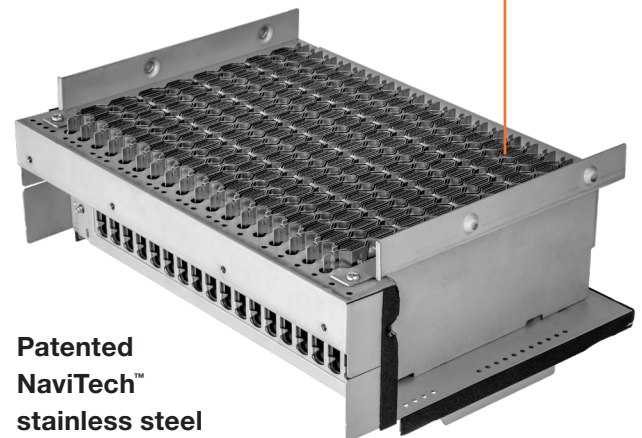
Endless hot water, innovation and quality in non-condensing tankless with the NaviTech™ patented stainless steel technology

Navien is the first and only non-condensing tankless water heater manufacturer that offers a durable stainless-steel heat exchanger and a patented stainless steel burner design, all with Navien's dedication to advanced engineering, elegant design and exceptional product quality, support and strong warranties.



Exclusive NaviTech™ stainless steel heat exchanger.

The corrosion resistant heat exchanger is another advancement created from Navien's industry leading gas tankless water heating technology.



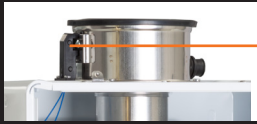
Patented NaviTech™ stainless steel burner with precision control flame technology for eco-friendly low NO_x emissions comparable to condensing water heaters.

Complies with SCAQMD rule 1146.2



An inside look at the NHW-S

Featuring added durability, functionality & safety



Vent Installation Detector (VID).

Choice of universal indoor/outdoor or outdoor only operation.

For residential/commercial use and cascade capable.

NaviVent™ concentric 3" x 5" venting.

Units available in either Natural Gas (NG) or Liquid Propane (LP) gas.

Built-in Air Pressure Sensor (APS) monitors vent system for blockage, helps maintain proper air/gas ratio and ensures consistent DHW output during changing conditions.

Built-in Water Adjustment Valve (WAV) and mixing valve controls flow to maintain setpoint and stabilizes temperature during flow changes.

NHW Series integrated control panel allows you to adjust water temperature, view operation status and troubleshoot.

Circuitry with built-in recirculation control and software. No need to add separate controller saving installation time and money.

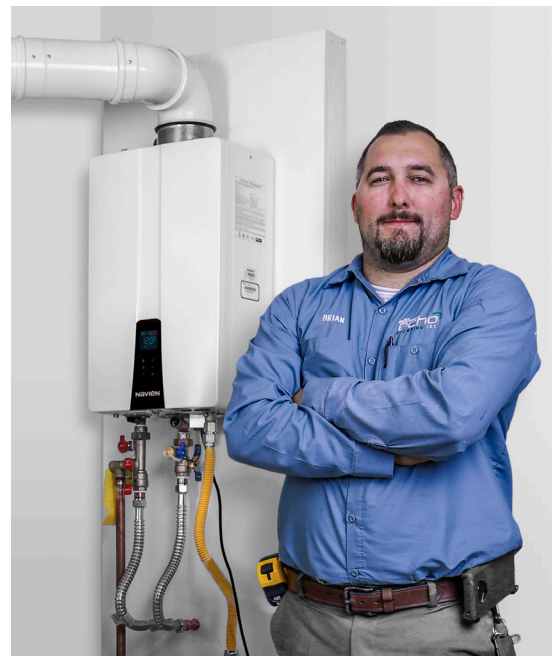




More innovative features and benefits:

Navien is the only non-condensing tankless water heater manufacturer to design and produce stainless steel heat exchangers and high efficiency NaviTech™ burners. Instead of assembling parts from various suppliers, we engineer and produce the majority of the components in our NHW series units and use advanced robotics to assure manufacturing integrity.

- Approved for mobile/manufactured homes. Navien NHW Series is the perfect domestic hot water system for eco-friendly tiny houses to larger high-tech homes
- Pin-to-pin design, aligns with configurations of other tankless models for easy retrofit installations
- Available in 3 interior and 3 exterior models (160,000, 180,000 & 199,900 BTU/h)
- Available in Natural Gas (NG) or Liquid Propane (LP) models
- Optional NaviLink® and NaviLink Lite™ Wi-Fi remote control make it easy to adjust water temperatures, review operation status and troubleshoot from anywhere Internet service is available
- Vent Installation Detector (VID) for added safety





Options to install outside or inside



Endless hot water



NaviLink® optional WiFi remote control



Low NO_x emissions



Up to 80%
smaller than
traditional
tanks

Space saving and lightweight design



Cascading capability

Accessories

For all optional accessories



NHW-SU



NHW-SE

NaviVent™
3" x 5"
Concentric Venting
for NHW-SU Series



For all venting accessories



NaviLink® Wi-Fi Control
PBCM-AS-001



NaviLink Lite™
Wi-Fi Control (1 Unit)
PBCM-AS-002

Plumb Easy Valve Set (V2)
3/4" with Relief Valve
GXXX002139

For Pipe Cover
30012581A



Outdoor Vent Cap Kit
(NHW700-SU Only)
30023991A



Pipe Cover NHW-S Series
30024017A



H2Air™ Kit AHU Optimizer
PNBD-00001



PeakFlow® Scale
Prevention Systems
PeakFlow® A
GPWC310001AC001
PeakFlow® S
GPWC110001AC001



Recess Box (NHW-SE Only)
(Lock not included)
30023550A



HotButton™
Control Kit
PZZZ-00046

Wall Plate
GXXX001427

Push Button
GXXX001426

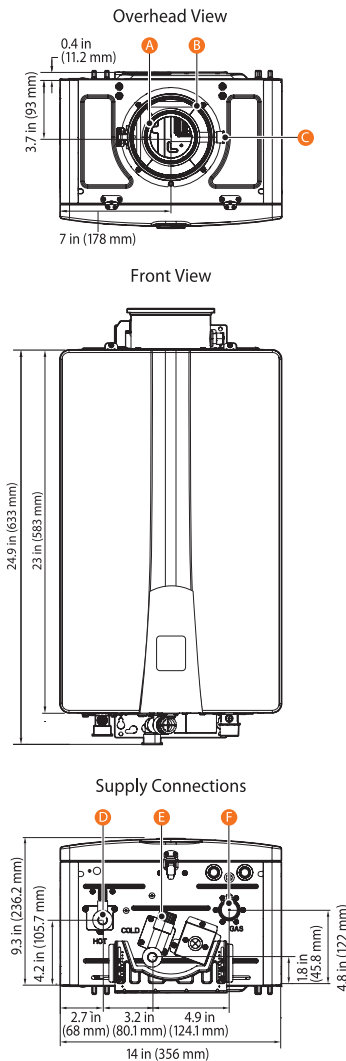


Remote Controller (Optional
for NHW-SU Models Only)
30022717B



Dimensions

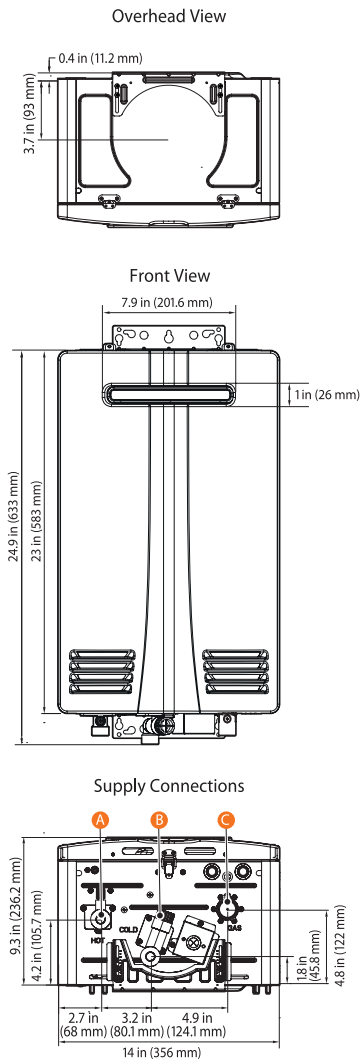
NHW-SU Series



Connection Size

- A Exhaust Gas Vent \varnothing 3"
- B Air Intake \varnothing 5"
- C Condensate Drain \varnothing 5/8"
- D Hot Water Outlet \varnothing 3/4"
- E Cold Water Inlet \varnothing 3/4"
- F Gas Inlet \varnothing 3/4"

NHW-SE Series



Connection Size

- A Hot Water Outlet \varnothing 3/4"
- B Cold Water Inlet \varnothing 3/4"
- C Gas Inlet \varnothing 3/4"



Customer support and advanced training makes Navien your best choice for tankless

Besides supplying innovative and energy efficient systems for residential and commercial applications, Navien provides extensive field support, webinars and training events for builders, architects and contractors. Our full-time customer support network provides quick answers to installation and operational questions.

Specifications

Item	NHW700 – Universal Model			NHW700 – Exterior Model			
	160SU-NG 160SU-LP	180SU-NG 180SU-LP	199SU-NG 199SU-LP	160SE-NG 160SE-LP	180SE-NG 180SE-LP	199SE-NG 199SE-LP	
Heat capacity (input) natural gas/propane gas	10,700–160,000 (BTU/h)	10,700–180,000 (BTU/h)	10,700–199,900 (BTU/h)	10,700–160,000 (BTU/h)	10,700–180,000 (BTU/h)	10,700–199,900 (BTU/h)	
Efficiency rating for NG & LP	0.81 UEF						
Flow rate (DHW)	35°F (18°C) temp rise	7.5 GPM (28 L/m)	8.5 GPM (32 L/m)	9.5 GPM (36 L/m)	7.5 GPM (28 L/m)	8.5 GPM (32 L/m)	9.5 GPM (36 L/m)
	45°F (23°C) temp rise	5.8 GPM (22 L/m)	6.6 GPM (25 L/m)	7.4 GPM (28 L/m)	5.8 GPM (22 L/m)	6.6 GPM (25 L/m)	7.4 GPM (28 L/m)
	67°F (36°C) temp rise	4.1 GPM (16 L/m)	4.8 GPM (18 L/m)	5.1 GPM (19 L/m)	4.0 GPM (15 L/m)	4.7 GPM (18 L/m)	5.1 GPM (19 L/m)
Dimensions	14" W x 23" H x 9.3" D						
Weight (gross) propane gas	60 lbs (27 kg)	65 lbs (29 kg)	65 lbs (29 kg)	60 lbs (27 kg)	65 lbs (29 kg)	65 lbs (29 kg)	
Installation type	Indoor or outdoor wall-hung (vent cap kit required for outdoor)			Outdoor wall-hung			
Venting type	Forced draft direct vent (indoor only)						
Ignition type	Electronic ignition						
Water pressure	15–150 PSI						
Natural gas supply pressure (from source)	3.5" WC–10.5" WC						
Propane gas supply pressure (from source)	8" WC–13" WC						
Natural gas manifold pressure (max-min)	2.8" WC, 0.7" WC	2.3" WC, 0.7" WC	2.8" WC, 0.7" WC	3.2" WC, 0.8" WC	2.6" WC, 0.8" WC	3.2" WC, 0.8" WC	
Propane gas manifold pressure (max-min)	5.8" WC, 1.3" WC	4.5" WC, 1.3" WC	5.4" WC, 1.3" WC	6.1" WC, 1.4" WC	4.9" WC, 1.3" WC	6.0" WC, 1.3" WC	
Minimum flow rate	0.26 GPM (1.0 L/m)						
Activation flow rate	0.4 GPM (1.5 L/m)						
Connection sizes	3/4" NPT cold water inlet 3/4" NPT hot water outlet 3/4" NPT gas inlet						
Power supply	Main supply	120V AC, 60 Hz					
	Normal	95 W	100 W	115 W	99 W	81 W	96 W
	Maximum power consumption	120 W (Max 2 A), 350 W (Max 4 A) with external pump connected					
	External pump	<150 W, 1.5 A					
Materials	Fuse	5.0 A					
	Casing	Cold rolled carbon steel					
Safety devices	Heat exchangers	Stainless steel					
	Flame rod, APS, vent installation detector, ignition operation detector, water temperature high limit switch, power surge fuse						

Navien reserves the right to change specifications at any time without prior notice. Please refer to www.Navieninc.com to verify you have the most current information.

Warranty

	Application	Labor	Parts	Heat Exchanger
Residential	Standard	1 year	5 years	15 years
	Uncontrolled recirculation ²	1 year	3 years	5 years
Commercial or Combi ¹	Standard	1 year	5 years	5 years
	Uncontrolled recirculation ²	1 year	3 years	3 years

¹ Combi refers to a combination potable water and space heating application. Water heaters cannot be used in space heating only applications.

² Uncontrolled-recirculation: External pumps configured to circulate continuously through the water heater are subject to the uncontrolled recirculation warranty terms. An aquastat is the minimum pump control requirement for DHW or storage tank recirculation in order to maintain the full controlled recirculation warranty.

Navien's warranty (which may be changed without prior notice) is subject to the terms and conditions found at www.Navieninc.com.



We are @Navieninc everywhere



Navien Inc. navieninc.com 800-519-8794
20 Goodyear, Irvine, CA 92618

