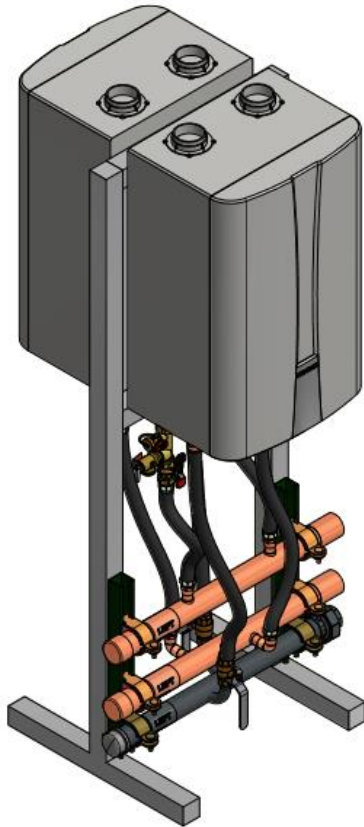
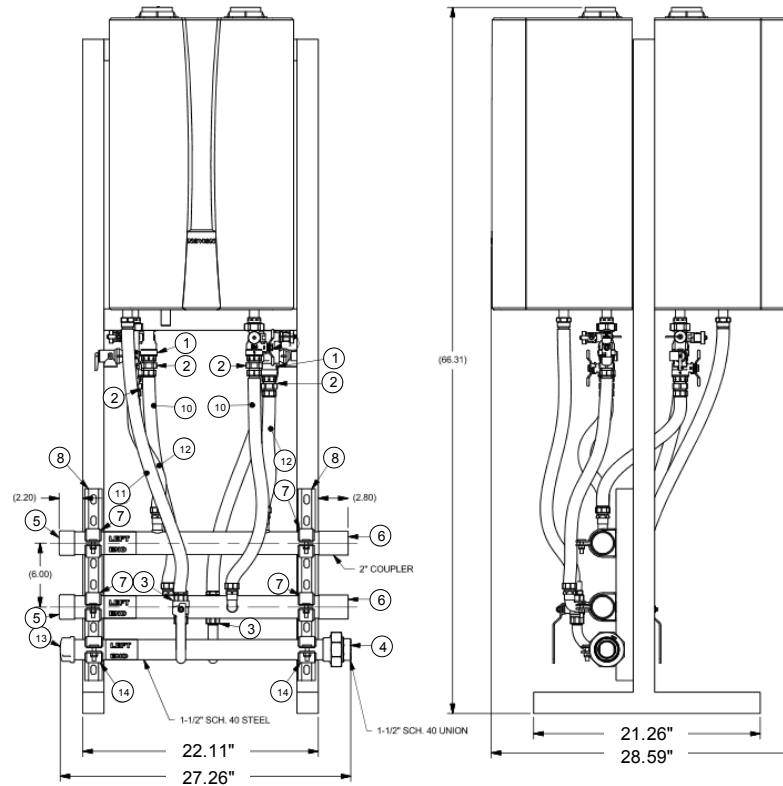


This drawing is intended only as a guide and not as a replacement for professionally engineered project drawings. This concept system drawing does not imply compliance with local building codes. Actual installation may vary depending on installation location & parameters and it must be done in accordance to all local building codes. Verify with local building officials before commencement of system installation.



SHIPPED LOOSE PARTS KIT					
ITEM	QTY	DESCRIPTION	ITEM	QTY	DESCRIPTION
1	2	3/4" WATTS 150# PRV	8	2	1-5/8" X 1-5/8" X 18" 14GA STRUT
2	2	3/4" WATTS TANKLESS SERVICE VALVE KIT w/ BV's	10	2	3/4" x 24" SS CORRUGATED FLEX TUBE
3	2	3/4" BALL VALVE- NPT	11	2	3/4" X 30" PVC COATED SS GAS CONNECTOR
4	1	1-1/2" FPT IRON UNION	12	2	3/4" x 18" SS CORRUGATED FLEX TUBE
5	2	2" CXC CAP	13	2	1-1/2" FPT GALV IRON CAP
6	2	2" CXC CPLG	14	1	1-7/8" OD CUSHIONED CAP
7	4	2-1/8" STRUT CLAMP	15	1	HARDWARE BOLT KIT



20 Goodyear  
Irvine, CA 92618  
800-519-8794  
www.navieninc.com

NPE Series Tankless Water Heater

Navien Ready-Link Manifold  
2-Unit Back-to-Back Manifold Kit - #30019039A  
Page 1

Drawn By: B. Fenske

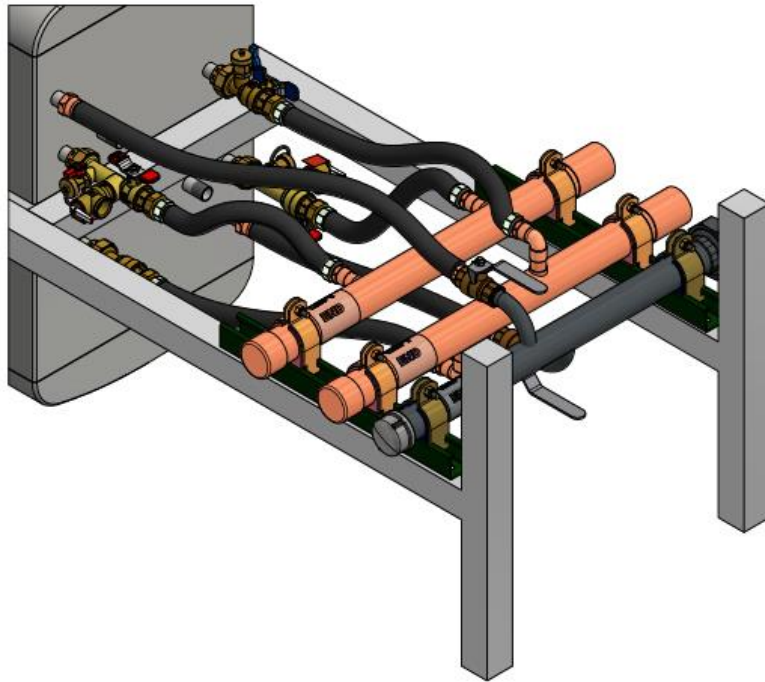
NPE-RDYLKMN-2BB-BF01

February 1, 2018

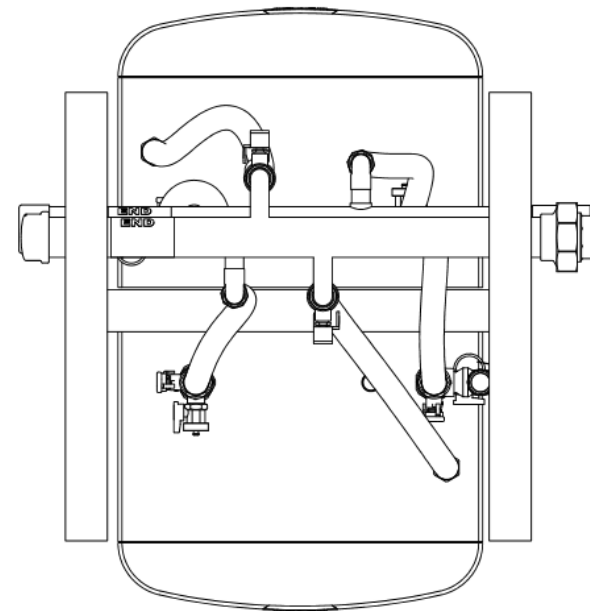


Tankless Manifold  
&  
Rack Systems

This drawing is intended only as a guide and not as a replacement for professionally engineered project drawings. This concept system drawing does not imply compliance with local building codes. Actual installation may vary depending on installation location & parameters and it must be done in accordance to all local building codes. Verify with local building officials before commencement of system installation.



Bottom View



20 Goodyear  
Irvine, CA 92618  
800-519-8794  
www.navieninc.com

NPE Series Tankless Water Heater

Navien Ready-Link Manifold  
2-Unit Back-to-Back Manifold Kit - #30019039A  
Page 2

Drawn By: B. Fenske

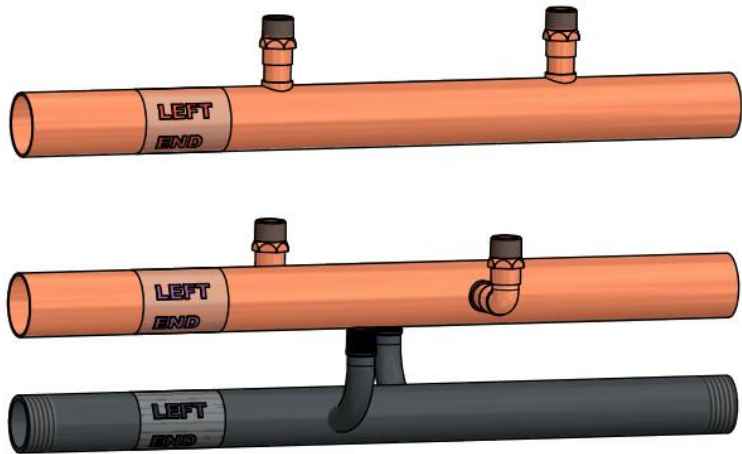
NPE-RDYLKMN-2BB-BF01

February 1, 2018



Tankless Manifold  
&  
Rack Systems

This drawing is intended only as a guide and not as a replacement for professionally engineered project drawings. This concept system drawing does not imply compliance with local building codes. Actual installation may vary depending on installation location & parameters and it must be done in accordance to all local building codes. Verify with local building officials before commencement of system installation.



**Manifold Piping**  
**2" CTS Water Pipe**  
**1-1/2" FPT Gas**

One Additional Manifold Kit may be added for additional tankless units

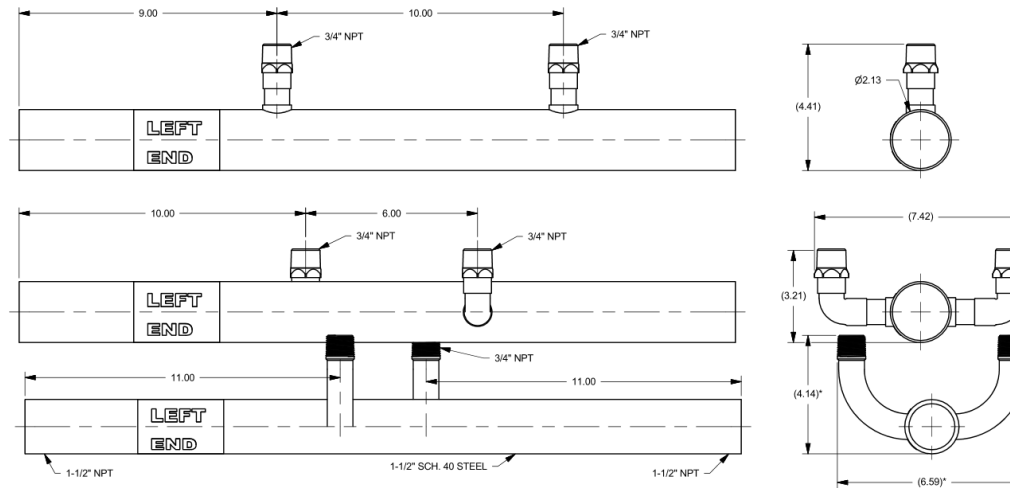
\* Total tankless count on one distribution manifold is up to 8 units.

Use one below:

#30019039A – 2 additional tankless (4 total)

#30019042A – 4 additional tankless (6 total)

(Unused connection ports will require service caps)



20 Goodyear  
 Irvine, CA 92618  
 800-519-8794  
 www.navieninc.com

**NPE Series Tankless Water Heater**

Navien Ready-Link Manifold  
 2-Unit Back-to-Back Manifold Kit - #30019039A  
 Page 3

Drawn By: B. Fenske

NPE-RDYLKMN-2BB-BF01

February 1, 2018



Tankless Manifold  
 &  
 Rack Systems