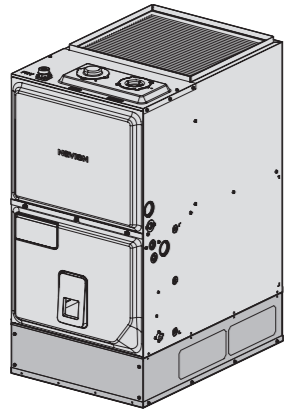




Return Air Box Kit Installation Manual



For Models:

- NPF700-060U3BH
- NPF700-100U5CH
- NPF700-100U5CS

This kit must be installed by a qualified installer in accordance with these instructions and all applicable codes and requirements of the authorities having jurisdiction. Read and follow all safety instructions in this manual precisely to avoid unsafe operating conditions, fire, explosion, property damage, personal injury, or death.

DANGER

Indicates a hazardous situation that if not avoided will result in death or serious injury.

WARNING

Indicates a hazardous situation that if not avoided could result in death or serious injury.

CAUTION

Indicates a potentially hazardous situation that if not avoided could result in minor or moderate injury.

NOTICE

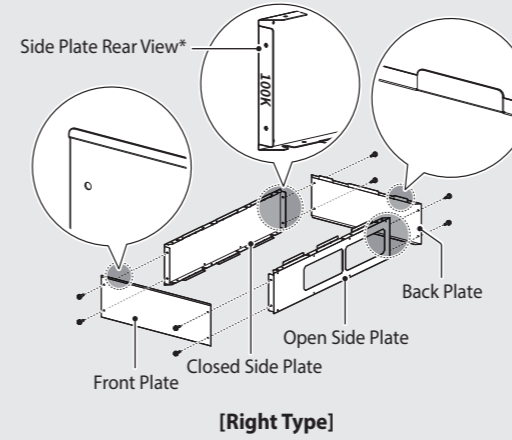
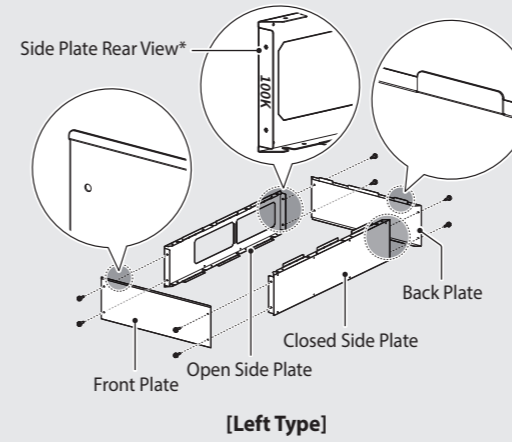
Indicates information considered important but not hazard-related (such as property damage).

WARNING

Fire and Explosion Hazard

Do not store or use gasoline or other flammable liquids near this furnace. Doing so may result in fire or explosion.

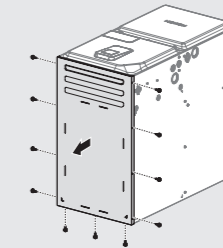
- Assemble the side plates, back plate, and front plate using the 8 hex screws (4x14).



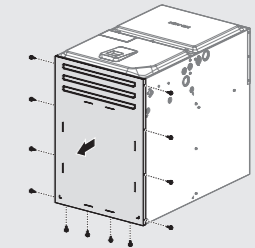
*The model name engraved on the edge of the side plate must face backward.

Installing the Return Air Box Kit on the Furnace

- Remove the 11 hex screws (4x14) for NPF700-60K models or 12 hex screws (4x14) for NPF700-100K models from the sides of the furnace, and then remove the bottom of the furnace.



[NPF700-60k]

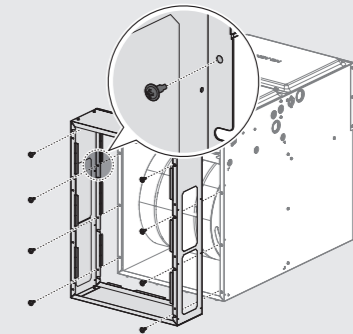


[NPF700-100k]

NOTICE

When removing the bottom from the furnace, lift up the furnace slightly to prevent the bottom from being twisted.

- Install the assembled return air box kit on the bottom of the furnace using the 8 self drilling screws (4x8).



Required Tools

Impact Driver	5/16 in (8 mm) Socket or Phillips Screwdriver	Pliers

Included Items

Closed Side Plate	Open Side Plate	Back Plate
Front Plate	<ul style="list-style-type: none"> Screws Package • 4x14 Hex Screws (10ea) • 4x8 Self Drilling Screws (10ea) 	Installation Manual

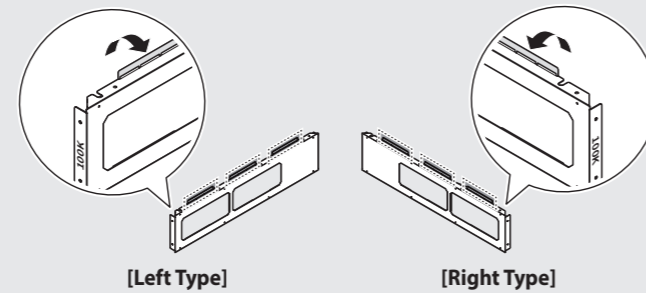
Note Check if the size of the back and front plates (60K or 100K) are compatible with the proper furnace model.

Assembling the Return Air Box Kit

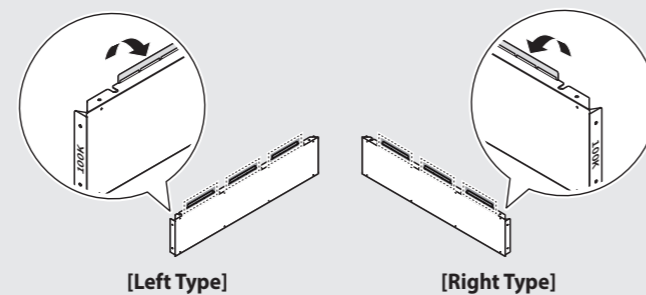
- Check that all the included items are in the kit box.

Note Side plates are interchangeable for right and left installation. Refer to the diagram to ensure tabs are bent in the correct orientation.

- Bend the 3 tabs on the open side plate vertically.



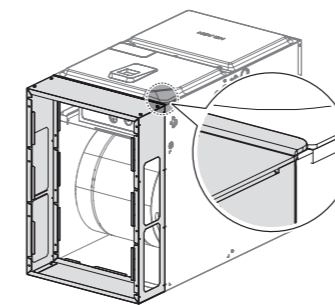
- Refer to the following illustrations for each type, and bend the 3 tabs on the closed side plate.



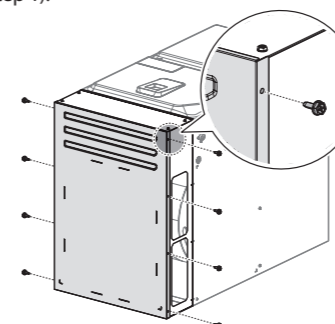
1 3
2 4

NOTICE

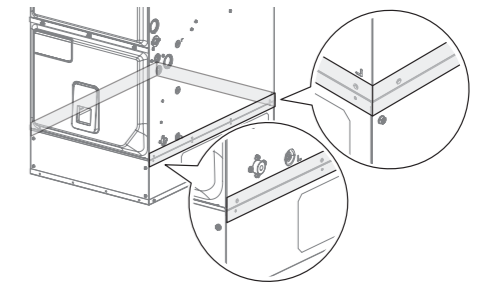
When assembling the return air box kit on the furnace, make sure to align the box with the cabinet using the flanges on the return air box as a guide.



- Install the bottom of the furnace on the return air box kit using the 8 hex screws (4x14) previously removed from the bottom of the furnace (Step 1).



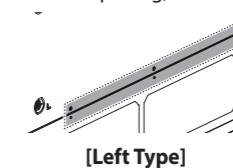
- Apply tape around the bottom of the furnace and return air box kit to seal any gaps or open screw holes.



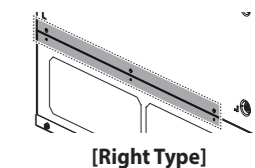
Note You do not need to apply tape to the front side of the furnace and return air box kit.

NOTICE

Do not install screws or any other structures above the return air opening of the open side plate. If anything is installed above the return air opening, air leaks may occur.



[Left Type]



[Right Type]



Navien, Inc.

20 Goodyear Irvine, CA 92618

TEL 1-800-519-8794 FAX 1-949-420-0430

www.navieninc.com