

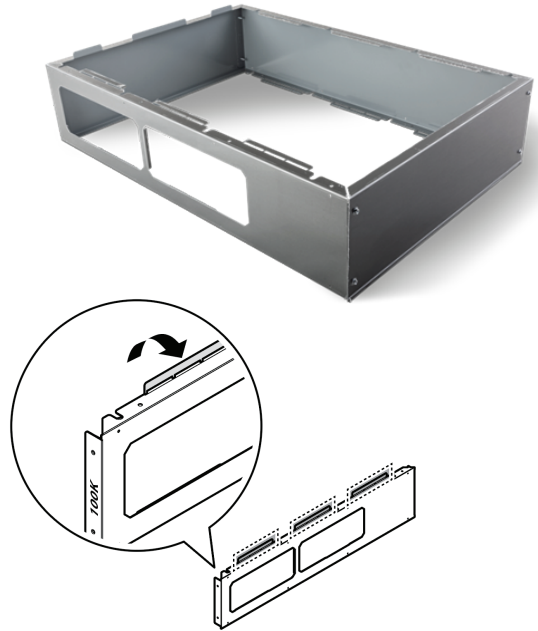
Part Number:

GXXX002427 Return Air Box Kit for NPF700-060U3BH

GXXX002398 Return Air Box Kit for NPF700-0100U5CH

Included Items

Closed Side Plate	Open Side Plate	Back Plate
Front Plate	Screws Package • 4x14 Hex Screws (10ea) • 4x8 Self Drilling Screws (10ea)	Installation Manual



NOTE: Model designation indicated on the OPEN SIDE PLATE tab as shown above

- Elevates the furnace providing an additional 4.0" of return air for all UPFLOW models
- Re-uses the existing furnace bottom
- Designed so the outer dimension matches the furnace for a clean installation
- Can be configured for left or right-side return
- Provides ease of use of a larger filter and return air drops
- Modular design made from heavy gauge steel for support and durability
- Powder painted finish that matches the furnace cabinet providing a professional finished installation

Dimensions

NPF700-060U3BH (L x W x H): 31" x 17-1/2" x 6-5/8"

NPF700-100U5CH (L x W x H): 31" x 21" x 6-5/8"

