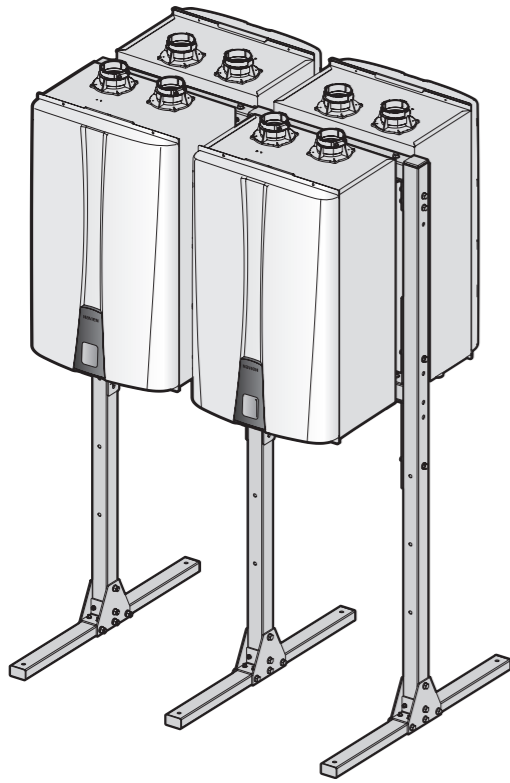




Ready-Link-Rack Installation Guide (V4)



Model

NPE-A/S, NPE-A2/S2
NCB-E, NCB-H
NHB, NHB-H
NFB, NFB-H
NFC, NFC-H
NPN
NHW700 A/S

⚠ WARNING

If the information in these instructions is not followed exactly, a fire or explosion may occur and potentially cause property damage, personal injury, or death.

Keep this manual for future reference.

Installation Considerations

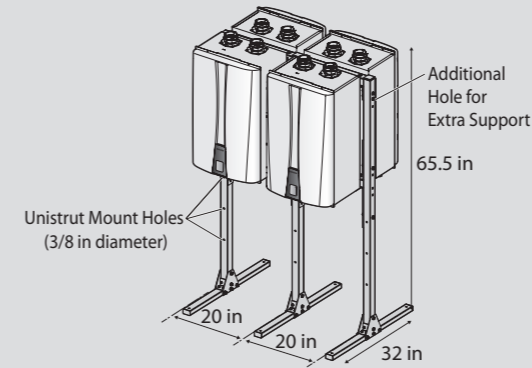
Refer to the following information to find an adequate installation location for the frame and prepare the appropriate tools to assemble the frame.

Tools Required

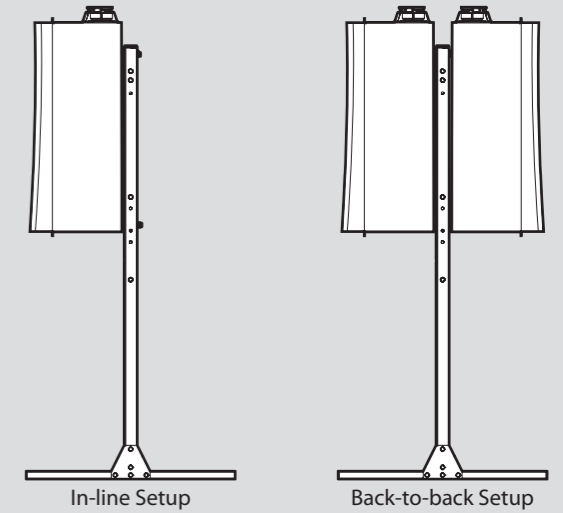
- 5/32 in or 4 mm Allen wrench
- Adjustable wrench
- Level

Dimensions

The following diagram shows the dimensions of the frame. Install the frame in an area that allows for service and maintenance access to utility connections, piping, filters, and traps.



The water heater or boiler units can be mounted using the in-line or back-to-back setup.



Note Depending on the number of the water heater or boiler units, assemble the extension kits to the rack to add more installation space.

1 3
2 4

Included Items

When you open the box, you will find the following items. Check the box for each of the following items before assembling the Ready-Link-Rack. The quantity of each item differs depending on the number of water heaters or boilers you want to install. If any of these items are missing or damaged, please contact our customer service center at 1-800-519-8794.

Installation Guide 1 EA	Post bar 64.4 in * Single kit: 2 EA ** Extension kit: 1 EA	Fixed bar 17.7 in * Single kit: 2 EA ** Extension kit: 2 EA	Base frame 32 in * Single kit: 2 EA ** Extension kit: 1 EA	Fixed bracket (under) * Single kit: 4 EA ** Extension kit: 2 EA	Fixed bracket (middle) * Single kit: 4 EA ** Extension kit: 4 EA	Fixed bracket (upper) * Single kit: 2 EA ** Extension kit: 2 EA
Reinforcement plate * Single kit: 4 EA ** Extension kit: 2 EA	Tapping screw 5x12 (washers set, stainless steel)† * Single kit: 20 EA ** Extension kit: 12 EA	Tapping screw 5x12 (stainless steel)† * Single kit: 2 EA ** Extension kit: 2 EA	M10 bolt (3 in, stainless steel) * Single kit: 22 EA ** Extension kit: 13 EA	M10 bolt (2.8 in, stainless steel) * Single kit: 3 EA ** Extension kit: 3 EA	5/32 in or 4 mm Allen wrench 1 EA	

† Spare tapping screws are provided in the product package for your convenience.

‡ The 5x12 tapping screws without washers are only used for installing the NPN series.

* A single kit can be used to mount up to two water heater or boiler units. When mounting two units, the back-to-back configuration can be used.

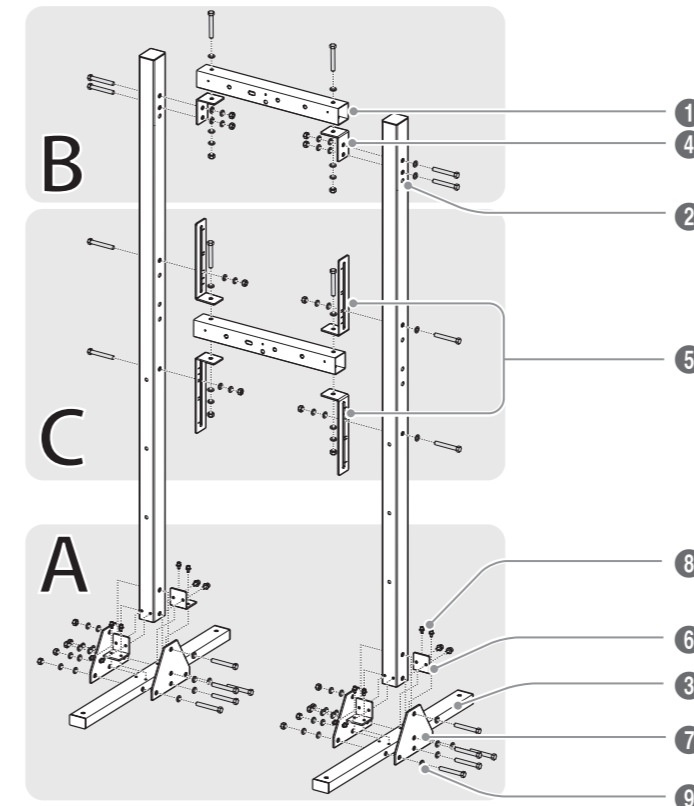
** An extension kit is used to add more water heater or boiler units to the frame.

*** These kits can be installed both indoors and outdoors.

Note Although the floor mounting hardware is not included with this kit, you must fix the Ready-Link-Rack securely to the floor to complete installation. Use appropriate anchor bolts (3/8 in) to fix the frame to the ground.

Parts Diagram

The following diagram allows you to correctly identify each part for easy assembly.

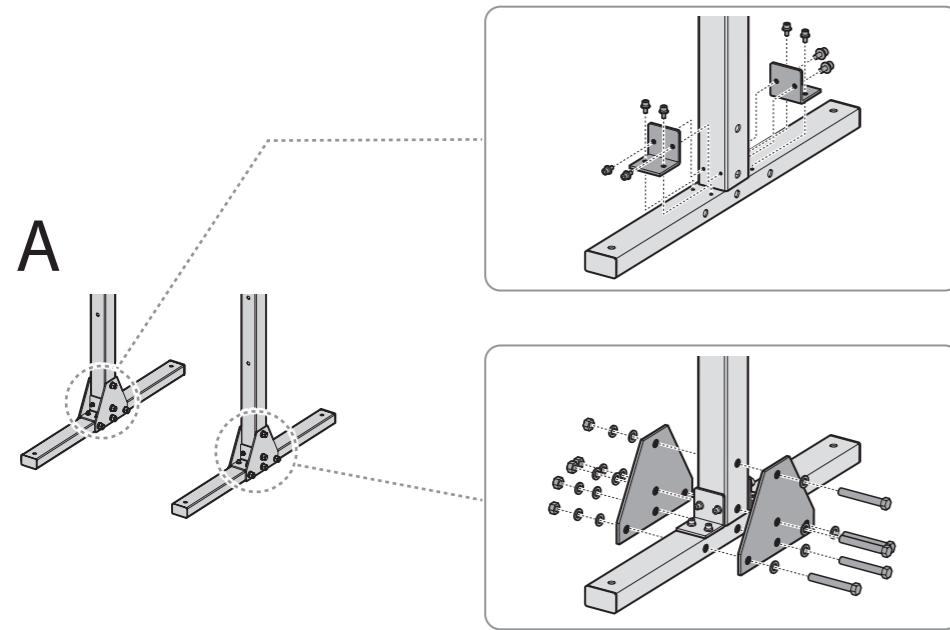


Part list

No.	Descriptions of Parts
1	Fixed bar 17.7 in
2	Post bar 64.4 in
3	Base frame 32 in
4	Fixed bracket (upper)
5	Fixed bracket (middle)
6	Fixed bracket (under)
7	Reinforcement plate
8	Tapping screw (washers set, 5x12)
9	M10 bolts (3 in)

Installation Procedures

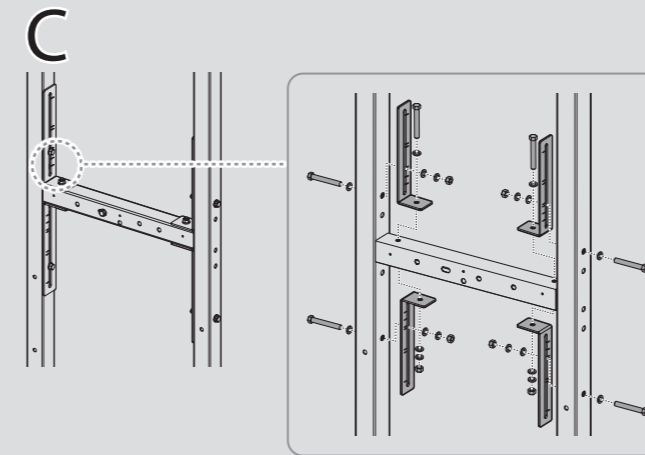
Assembling the Footbar



1. Place a base frame on the ground and place a post bar upright in the middle of a base frame.
2. Affix two fixed bracket (under) with 8 tapping screws (washers set, 5x12).
3. Repeat steps 1 and 2 to make the second foot bar.
4. Affix two reinforcement plates to the inside and outside of a foot bar with 5 M10 bolts (3 in).
5. Repeat step 4 for the other foot bar.

Note The post bar may be damaged if excessive torque is applied when you tighten the M10 bolts. The maximum torque allowed when tightening the M10 bolts is 10 N-m, or 7 ft-lb.

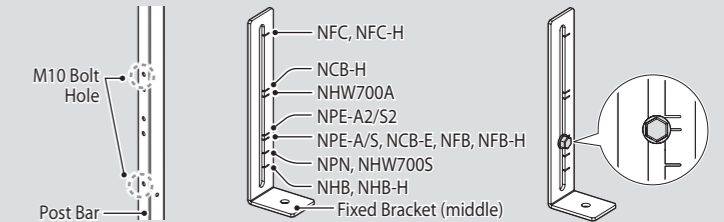
Assembling the Middle Bar



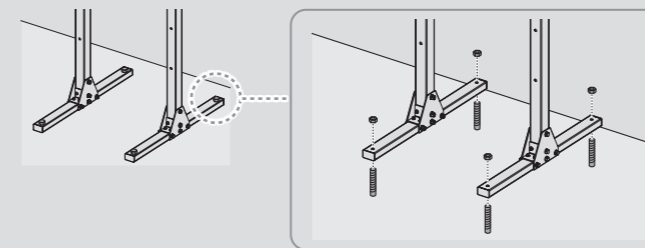
Place a fixed bar between the middle of the two post bars and four fixed brackets (middle) with six M10 bolts (3 in) to attach the middle bar.

Note

Depending on the boiler or water heater models, the screws and bolts are tightened to the different holes of the post bar and fixed brackets (middle) differently. Verify that the proper indicator lines are used on the fixed bracket based on the applicable model(s) in order to ensure that the provided holes on the rack line up with the mounting brackets on the unit. Tighten the two M10 bolts (3 in) in the top and bottom screw holes in the middle of the post bar, and then refer to the following illustrations for proper installation of the fixed bracket (middle). Ensure that the M10 bolt (3 in) is located in the center of the marking for each model to properly install the bracket.



Fixing the Frame to the Location



1. Ensure that all screws and bolts are tightened securely.
2. Fix the frame to the ground with appropriate anchor bolts.

WARNING

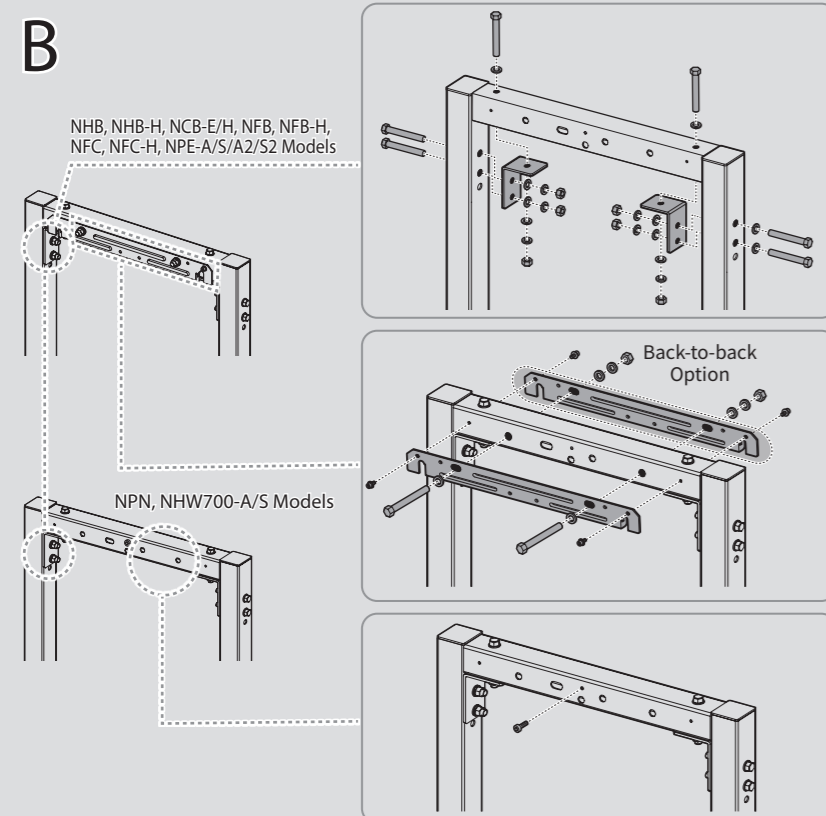
- Ensure that the floor is flat and strong enough to support the water heater or boiler and frame when all preparations for operation are complete.
- Ensure that the frame is fixed securely as property damage, personal injury, or death may result if the frame falls.

Note

Although the floor mounting hardware is not included with this kit, you must fix the Ready-Link-Rack securely to the floor to complete installation. Use appropriate anchor bolts (3/8 in) to fix the frame to the ground. Before fixing the frame to the ground using anchor bolts, ensure that the anchor bolts protrude above the surface of the ground by at least 2 in (50 mm).

5 7
6 8

Assembling the Upper Bar



For the NHB, NHB-H, NCB-E/H, NFB, NFB-H, NFC, NFC-H, NPE-A/S/A2/S2 Models

1. Place a fixed bar between the top of the two post bars and affix two fixed brackets (upper) with six M10 bolts (3 in) to attach the upper bar.
2. Affix the mounting bracket supplied with the water heater or boiler to the middle of the upper bar where the product will be attached with two tapping screws (washers set, 5x12) and two M10 bolts (2.8 in).
3. Back-to-back Option: To mount water heaters or boilers using the back-to-back setup, affix the mounting bracket to the back side of the upper bar.

For the NPN, NHW700-A/S Models

1. Place a fixed bar between the top of the two post bars and affix two fixed brackets (upper) with six M10 bolts (3 in) to attach the upper bar.
2. Tighten the tapping screw (5x12) in the screw hole in the middle of the upper fixed bar. Ensure that the screw is not fully tightened so that the upper mounting bracket of the NPN water heater can hang on the screw.
3. Back-to-back Option: Repeat step 2 on the rear side of the fixed bar.

Note The post bar may be damaged if excessive torque is applied when you tighten the M10 bolts. The maximum torque allowed when tightening the M10 bolts is 10 N-m, or 7 ft-lb.

Attaching a Water Heater or Boiler to the Frame

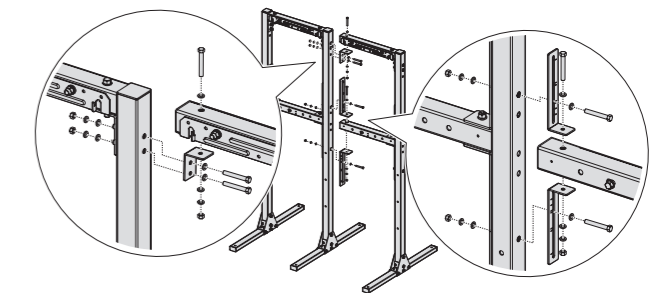
For the NHB, NHB-H, NCB-E/H, NFB, NFB-H, NFC, NFC-H, NPE-A/S/A2/S2 Models

1. Align the grooves on the back of the water heater or boiler with the tongues on the mounting bracket and hang the water heater or boiler on the bracket.
2. Secure the water heater or boiler to the frame with the M10 bolt set (2.8 in).

For the NPN, NHW700-A/S Models

1. Hang the NPN water heater's upper mounting bracket on the tapping screw (5x12).
2. Affix the bracket using two M10 bolts (2.8 in).
3. Secure the water heater to the middle fixed bar through the NPN bracket at the bottom of the water heater with one M10 bolt set (2.8 in).

Attaching an Extension Kit



Refer to the instructions on pages 5 to 8 to connect an additional extension rack to the single frame with the fixed brackets and M10 bolts (3 in).

CAUTION

Check the surfaces of the water heater/boiler and rack for any scratches or chipping paint. If any of the coating is removed, rust may develop and possibly affect the lifespan of the rack. Recoat any areas where the coating is removed or scratched.

Navien

Navien, Inc.

20 Goodyear Irvine, CA 92618

TEL 1-800-519-8794 FAX 1-949-420-0430

www.NavienInc.com