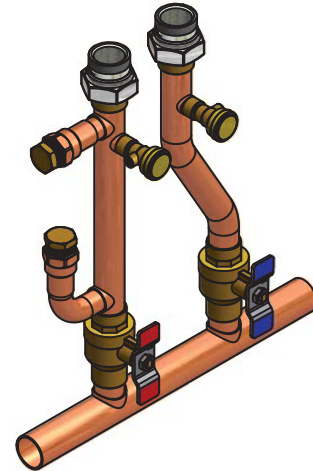
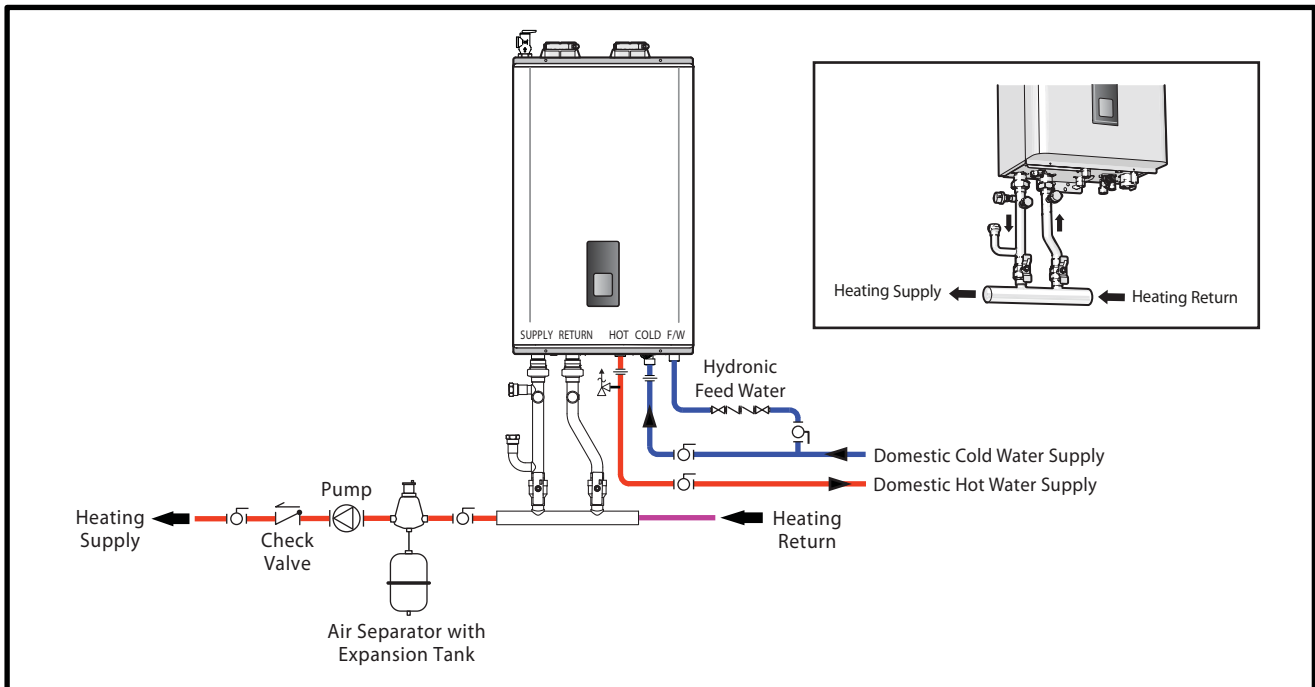


- Pipe manifold kit designed specifically for installations with Navien **NCB Series** combination boilers
- Compatible with all **NCB Series** boiler models:
NCB-180, NCB-180E, NCB-210, NCB-210E, NCB-240, NCB-240E
- Compact design that is ideal for **hydronic** and **radiant** space heating applications
- Package comes pre-assembled in order to **reduce labor time** and **cost** for installations while **maximizing system efficiency** without the need to fabricate a custom manifold
- The **SUPPLY** and **RETURN** connections on the manifold attach directly onto the fittings located at the bottom of the boiler unit
- This manifold kit contains the following features:
 - **1" FNPT dielectric unions** for the boiler **SUPPLY** and **RETURN**
 - **1-1/4" sweat connections** for heating **SUPPLY** and **RETURN** piping
 - Produced with durable **L-copper** piping
 - **Shut-off valves** provided for **system isolation** and **ease of service**
 - **Two 1/4" service and drain ports** and **two 3/4" ports** for use with heating system accessories
- **Weight:** 9.0 lbs (4.1 kg)

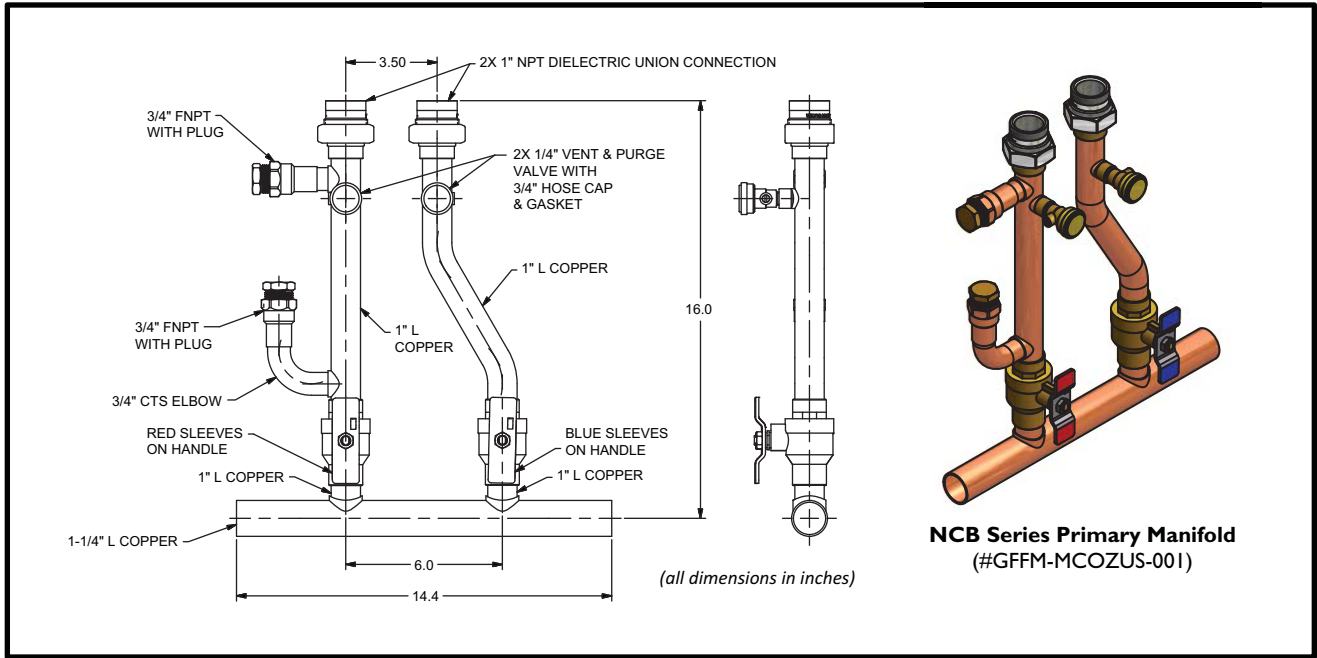


NCB Series Primary Manifold
(#GFFM-MCOZUS-001)

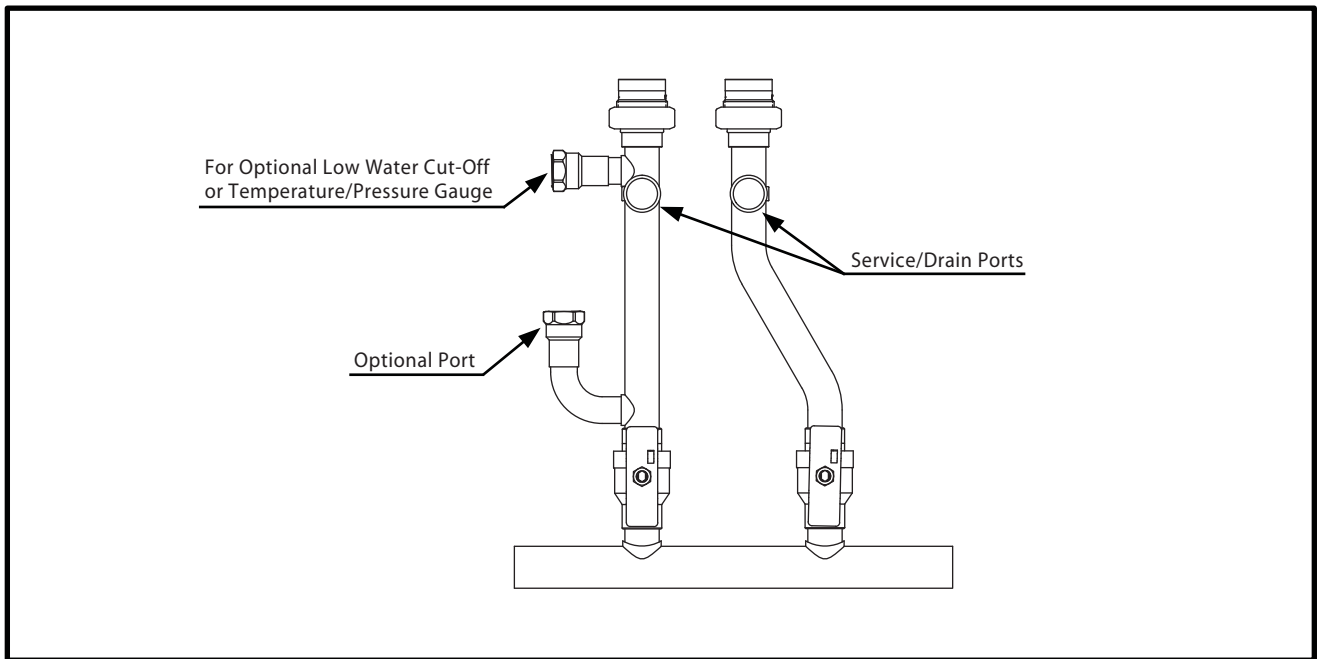
Installation Example



Dimensions



Available Connections on the NCB Series Primary Manifold



**Navien reserves the right to change specifications at any time without prior notice*