

NFB High-Efficiency Condensing Fire Tube Boiler

Submittal Sheet

Model NFB-175 (175,000 Btu/hr.)

Model NFB-200 (199,900 Btu/hr.)

Job Name: _____

Location: _____

Engineer: _____

Wholesaler: _____

Sales Rep: _____

Contractor: _____

Model: _____ **Gas Type (NG/LP):** _____ **Input (BTU/HR):** _____ **Output (BTU/HR):** _____

Notes: _____

Boiler Standard Features

- Stainless Steel Heat Exchanger, ASME "H", with Non-Metallic Condensate Collector Base
- Cold-rolled Carbon Steel Casing
- 95% AFUE
- Fully Modulating Burner with 10:1 Turndown Ratio
- Low NOx (<20ppm)
- 80 PSI ASME Max Pressure
- 30 PSI ASME Relief Valve
- Direct Spark Ignition
- Variable Speed Blower
- Dual Venturi Mixing System
- Negative Pressure Gas Valve
- Cascading Up to 16 Units
- Wall Mounting Bracket
- LP Gas Conversion Kit
- Outdoor Temperature Sensor
- System Temperature Sensor
- Condensate Trap
- Air Vent

Venting

- Vertical and Horizontal Direct Venting up to 150 ft.
- 2 in. or 3 in. PVC, CPVC, PP, SS Vent Materials
- Common Venting Up to 8 Units
- Vent Termination Caps
- Wall Flanges

Boiler Optional Accessories

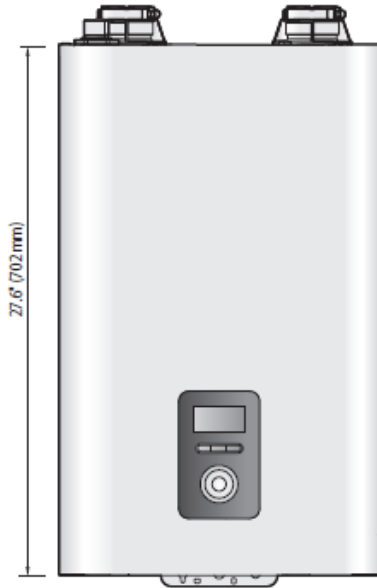
- Primary/Secondary Boiler Manifold System
- Condensate Neutralizer Kit
- NaviClean™ Filter
- Zone Controllers
- Universal Temperature Sensor
- NaviLink™ Wi-Fi Control
- Ready-Link® Boiler Stand and Racking System
- 50 PSI Pressure Relief Valve
- 80 PSI Pressure Relief Valve
- Backdraft Damper Kit

Controls

- LCD Display with Select Buttons and Command Dial
- LWCO with Manual Reset
- High and Low Gas Pressure Switches with Manual Reset
- Manual Reset High Limit
- UL353 Certified Controls
- Freeze Protection
- Outdoor Reset
- Warm Weather Shutdown
- Air Handler Interface
- 4 Circulator Outputs
- 3 Zone Valve Control
- Remote Access via NaviLink™ Mobile Application

Warranties

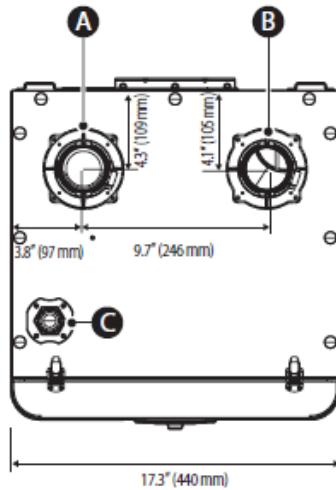
- 15 yrs. Residential and 10 yrs. Commercial Heat Exch. Warranty
- 5 yrs. Residential and 3 yrs. Commercial Parts Warranty
- 1 yr. Labor Warranty



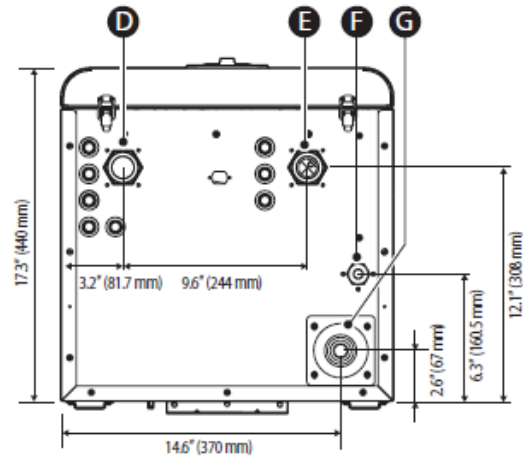
Supply Connections

	Description	Diameter
A	Air Intake	2 in
B	Exhaust Gas Vent	2 in
C	Air Vent Connection	3/4 in
D	Heating Supply	1 1/4 in
E	Heating Return	1 1/4 in
F	Gas Connection	3/4 in
G	Condensate Outlet	1/2 in

Overhead View



Supply Connections



Navien Condensing Boiler Space Heating Ratings					ALPI CERTIFIED. www.alpicertified.com		Other Specifications	
Model Number ¹	Heating Input (MBH)		Heating Capacity ² (MBH)	Net AHRI Rating Water ³ (MBH)	AFUE ² (%)	Water Pressure	Water Connection Size (Supply, Return)	
	Min	Max						
NFB-175	17.5	175	161	140	95	12-80 psi	1 1/4 in NPT	
NFB-200	19.9	199	183	159	95			